

SYSTEM WIRING DIAGRAMS

Audi - TT

AIR CONDITIONING

www.Mitchell-Auto.ru

2001 Audi TT

SYSTEM WIRING DIAGRAMS Audi - TT

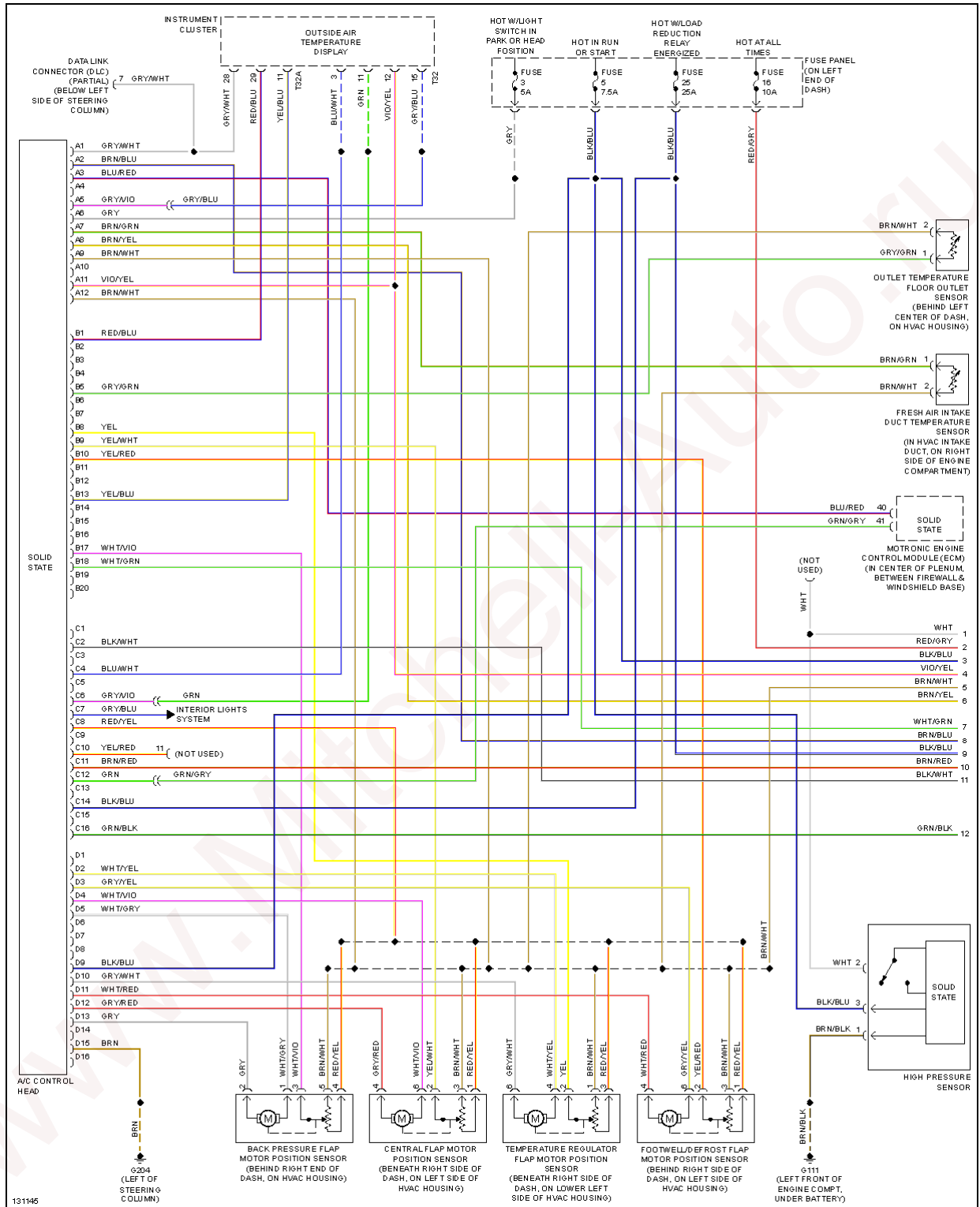


Fig. 1: Automatic A/C Circuit (1 of 2)

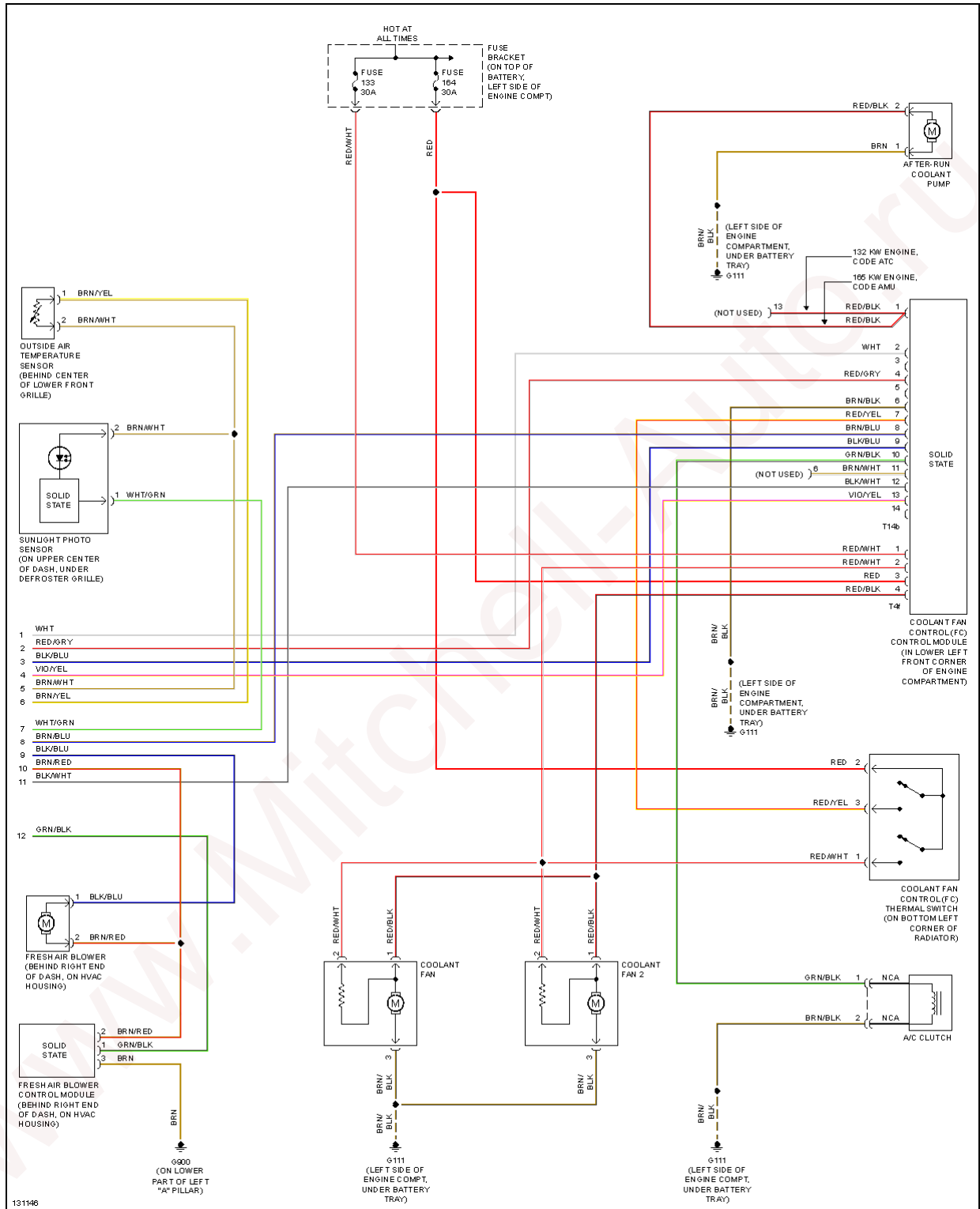


Fig. 2: Automatic A/C Circuit (2 of 2)

ANTI-LOCK BRAKES

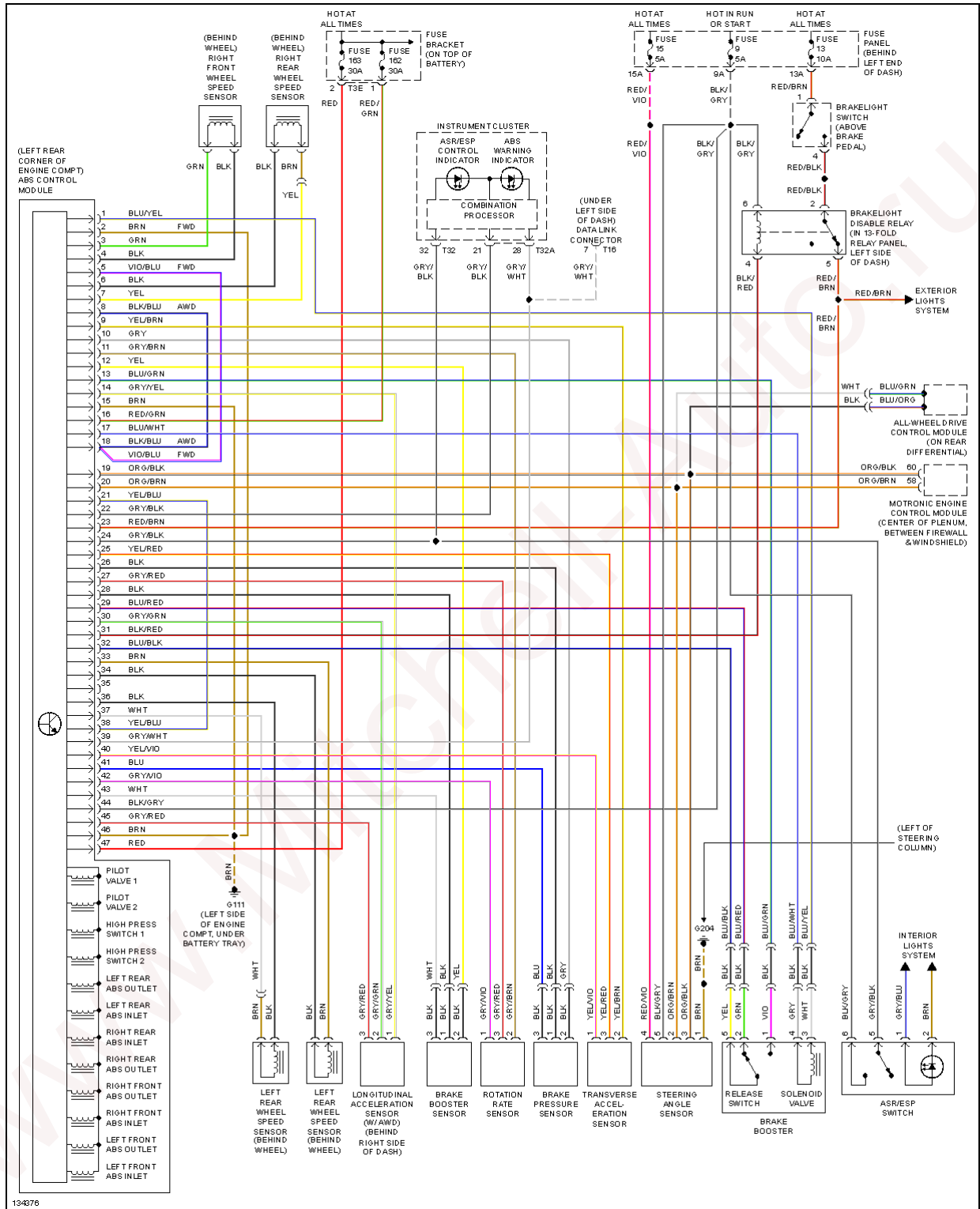


Fig. 3: Anti-lock Brakes Circuit, W/ Electronic Stability Program

ANTI-THEFT

2001 Audi TT

SYSTEM WIRING DIAGRAMS Audi - TT

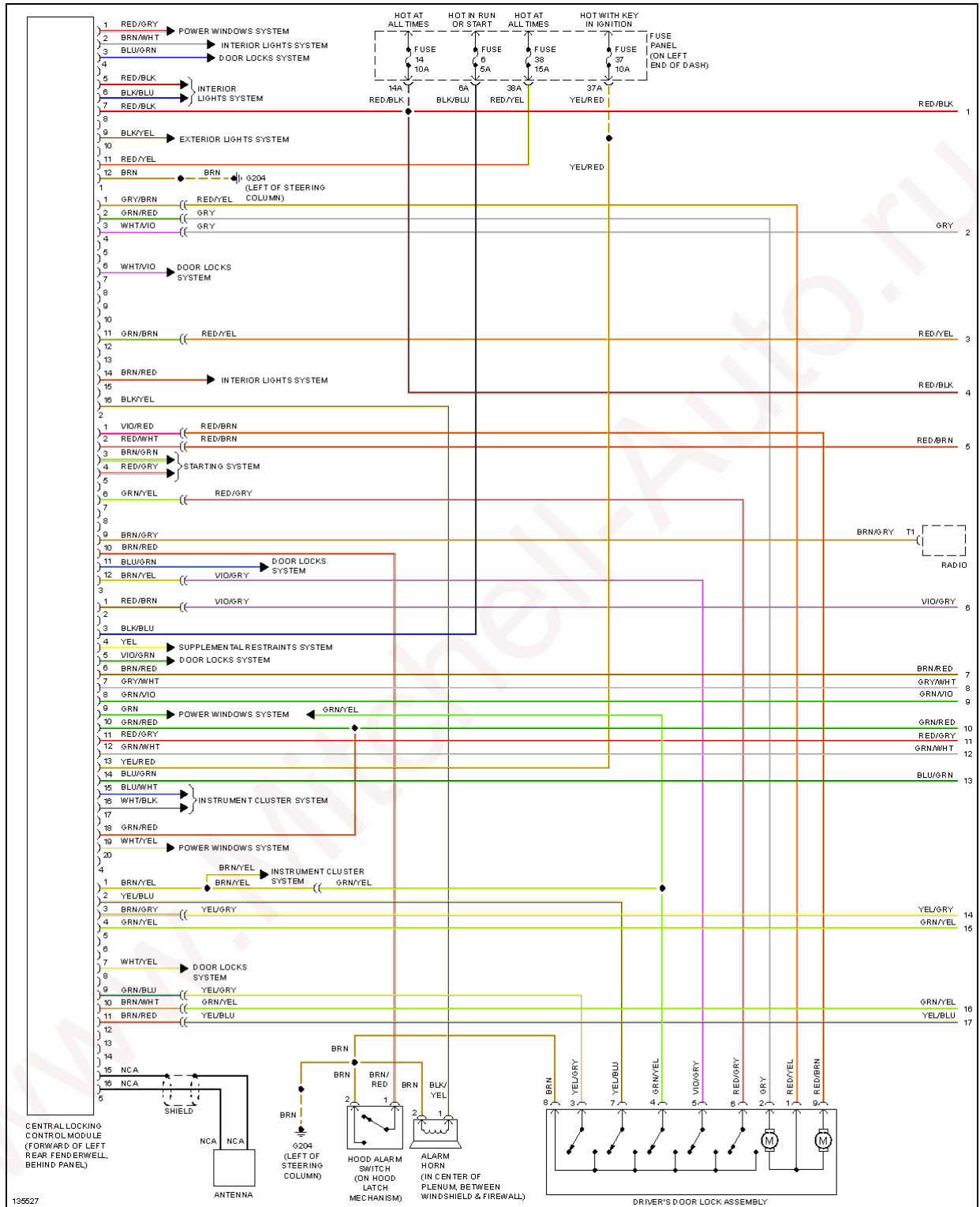


Fig. 4: Anti-theft Circuit, Coupe (1 of 2)

2001 Audi TT

SYSTEM WIRING DIAGRAMS Audi - TT

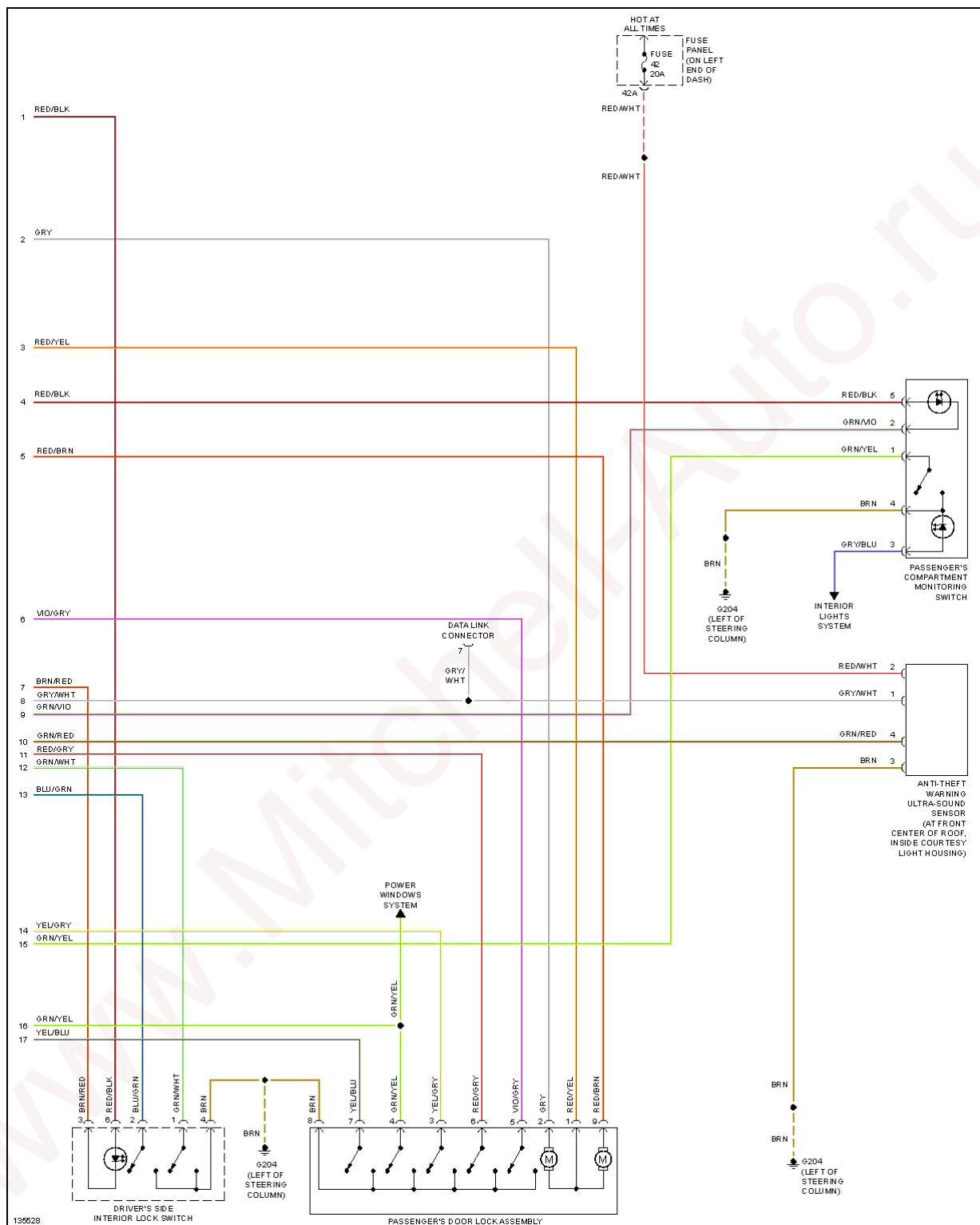


Fig. 5: Anti-theft Circuit, Coupe (2 of 2)

2001 Audi TT

SYSTEM WIRING DIAGRAMS Audi - TT

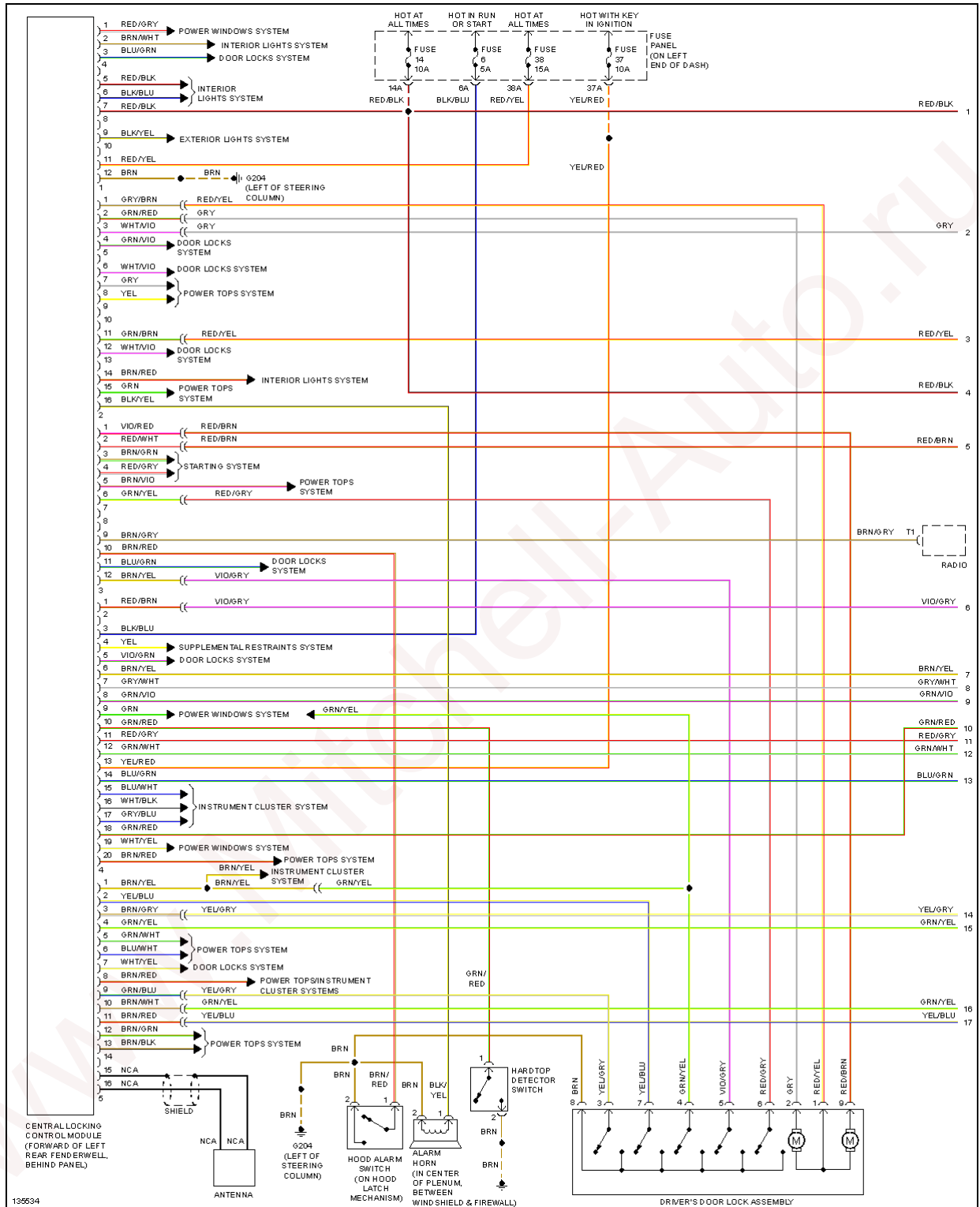


Fig. 6: Anti-theft Circuit, Roadster (1 of 2)

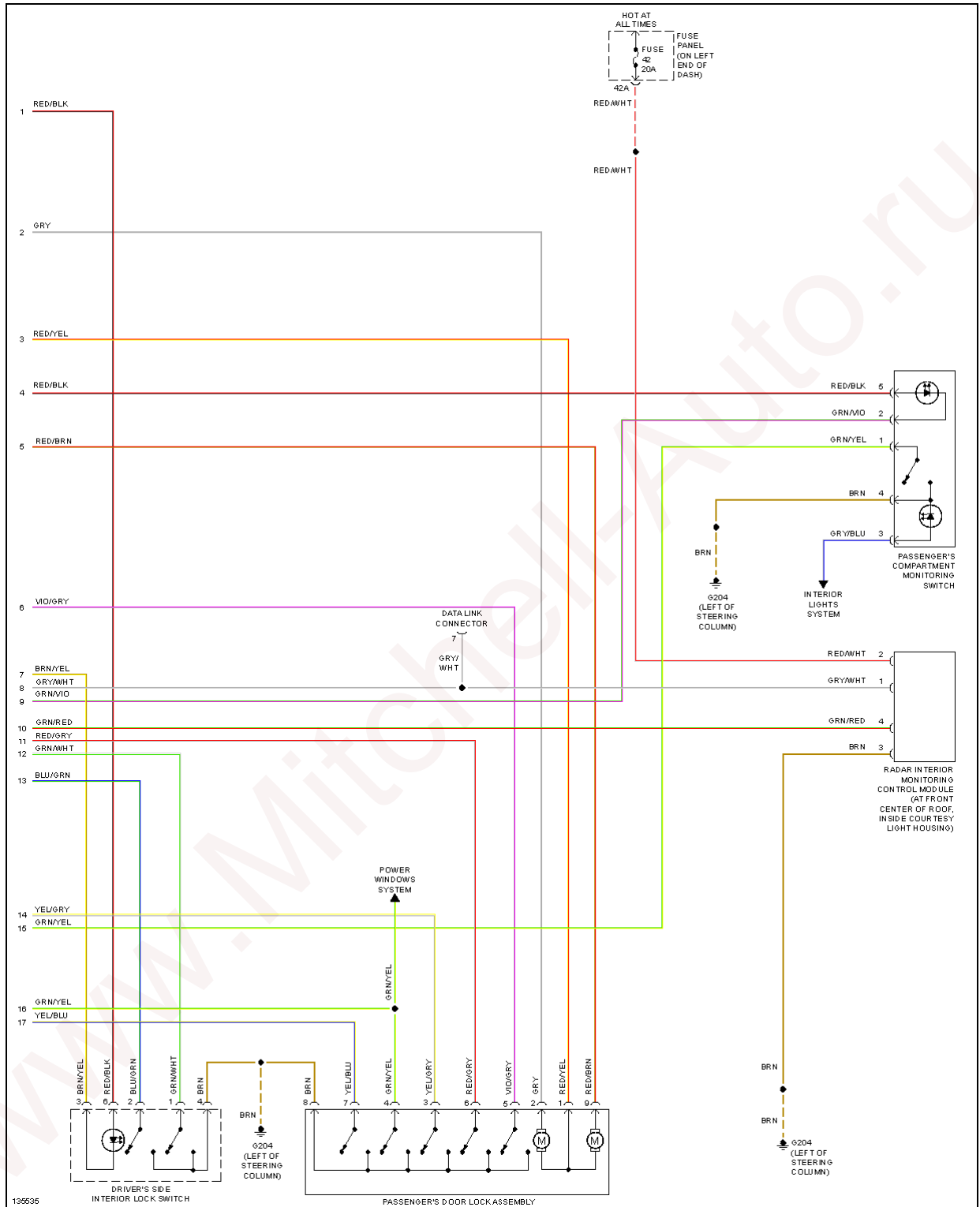


Fig. 7: Anti-theft Circuit, Roadster (2 of 2)

COMPUTER DATA LINES

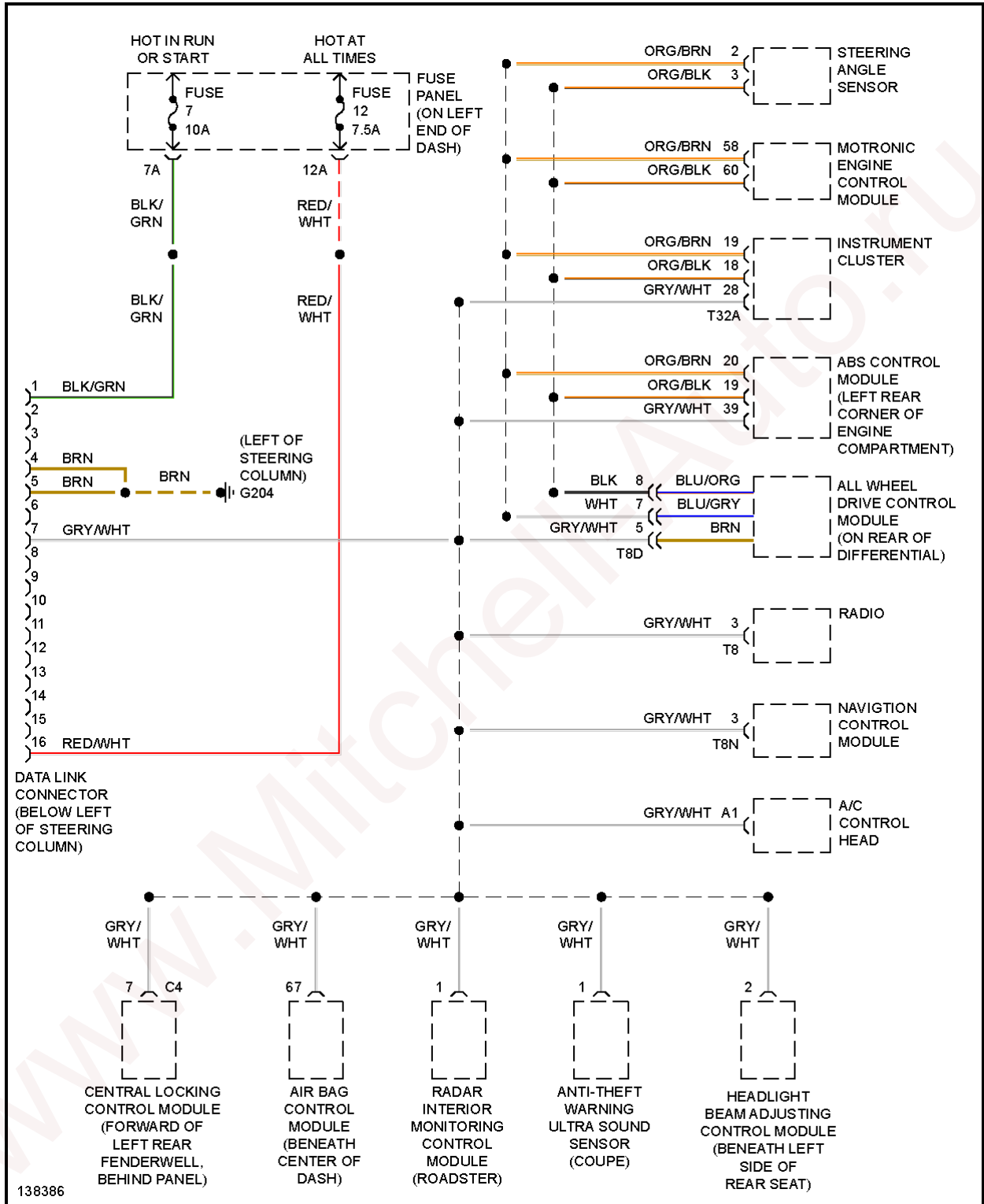


Fig. 8: Computer Data Lines Circuit

COOLING FAN

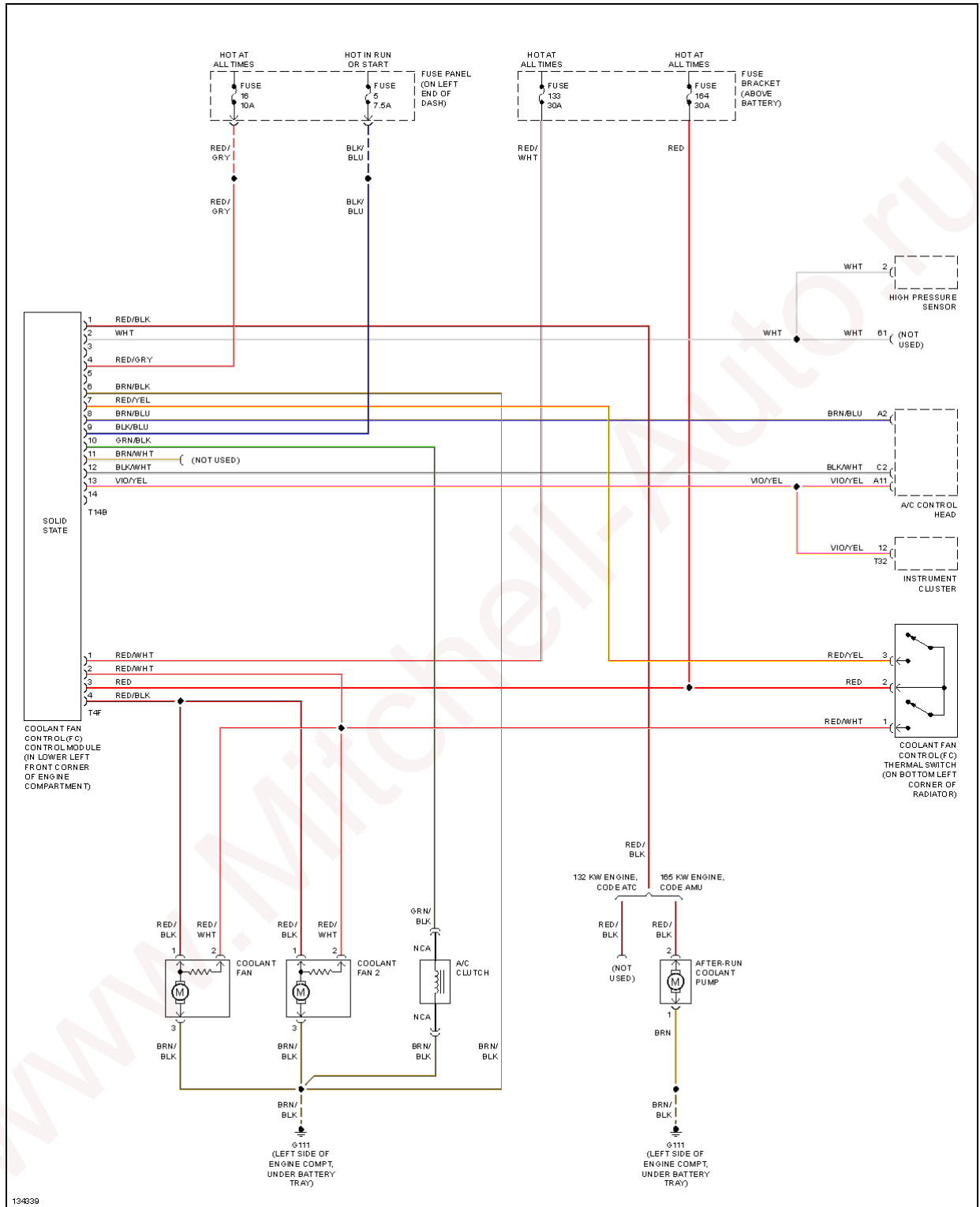


Fig. 9: Cooling Fan Circuit

CRUISE CONTROL

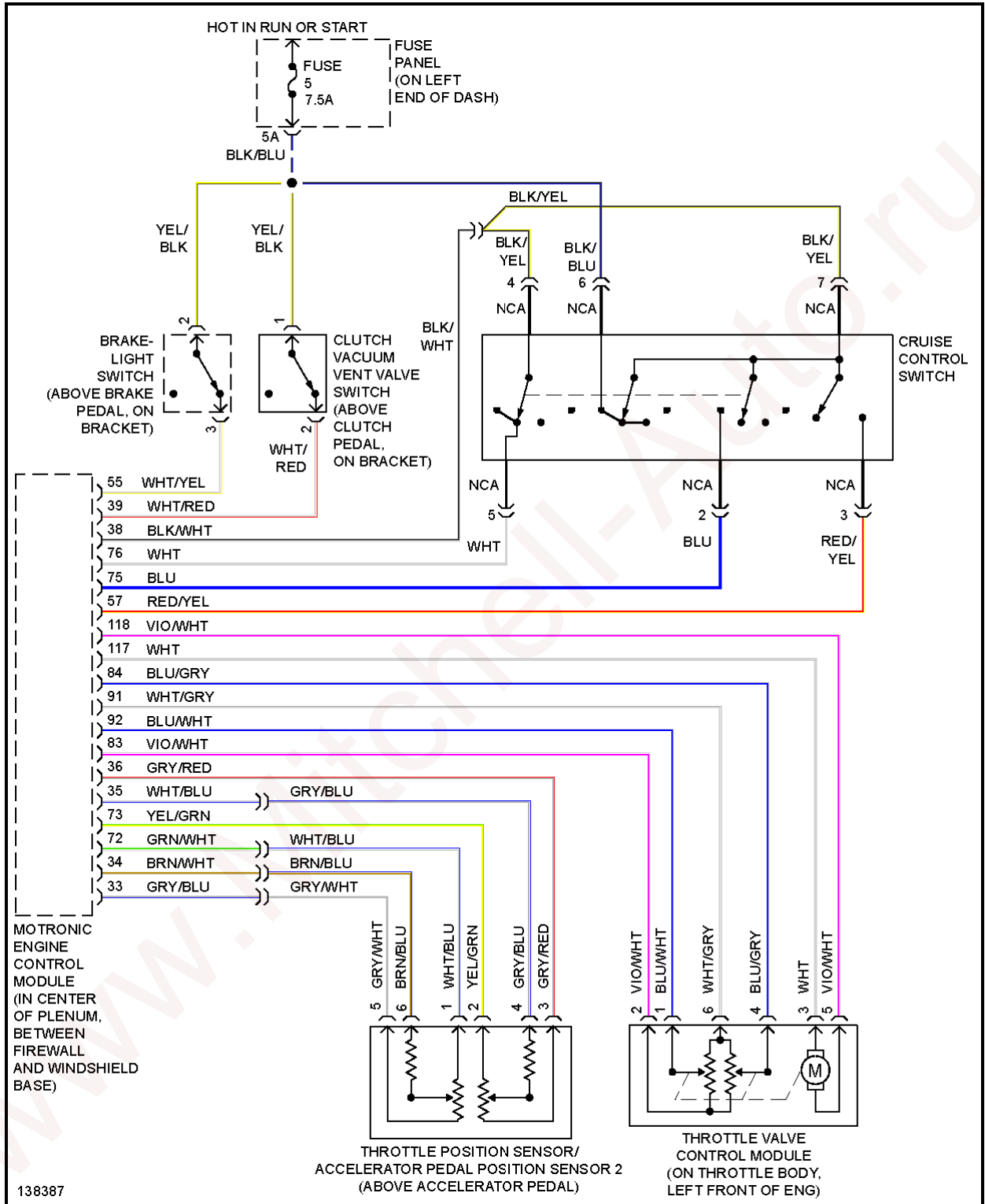


Fig. 10: Cruise Control Circuit

DEFOGGERS

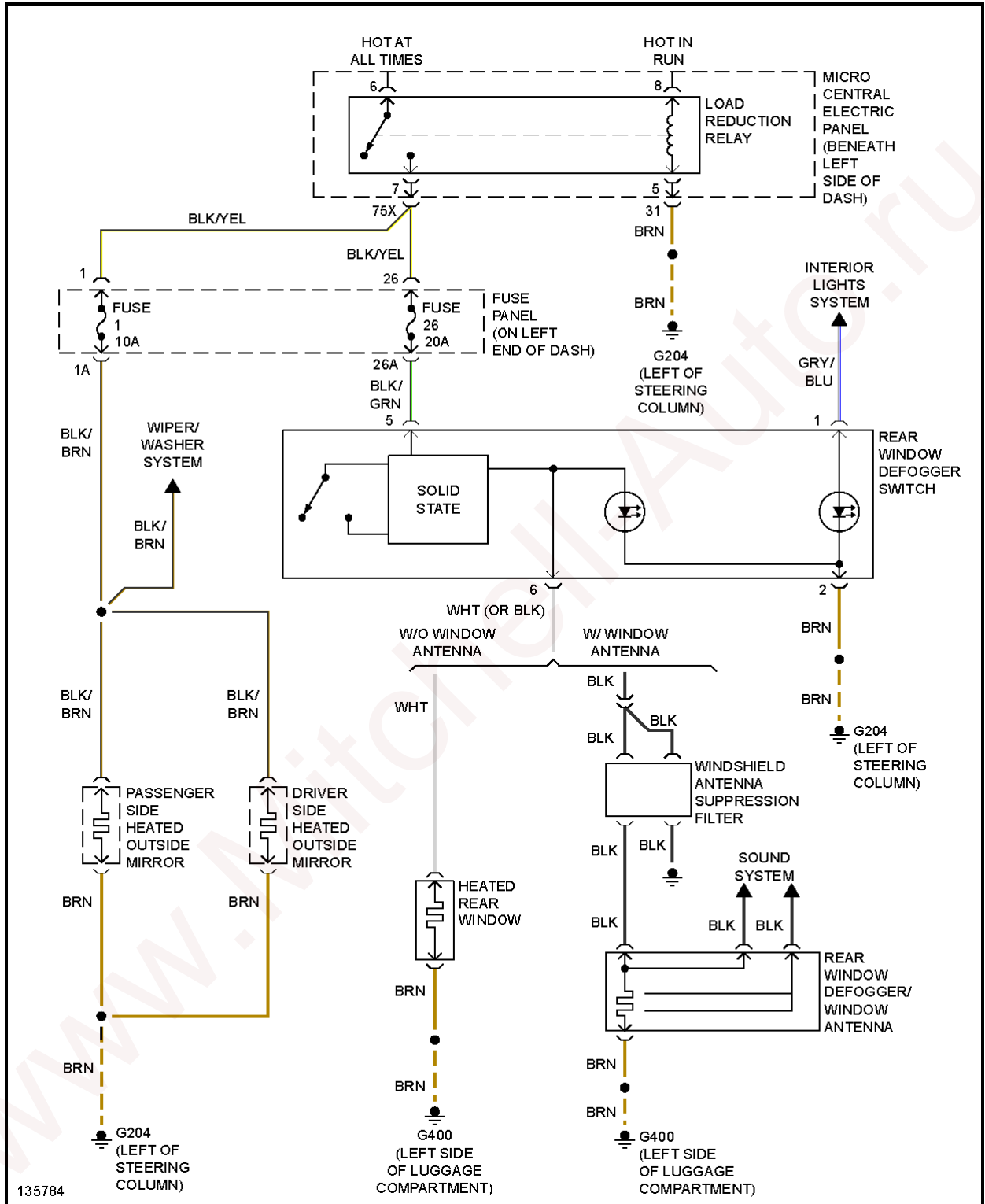


Fig. 11: Defoggers Circuit, Coupe

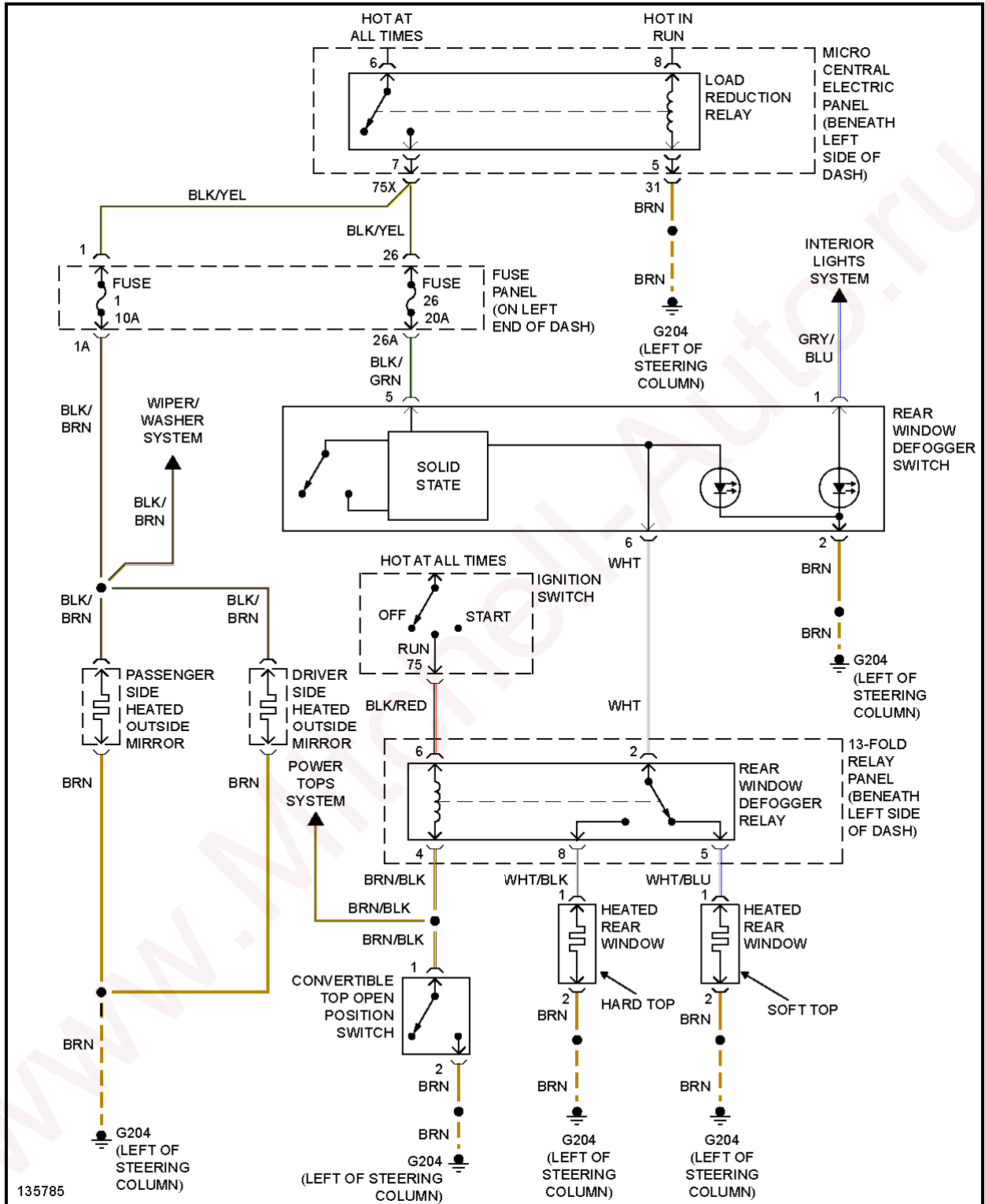


Fig. 12: Defoggers Circuit, Roadster

ENGINE PERFORMANCE

1.8L

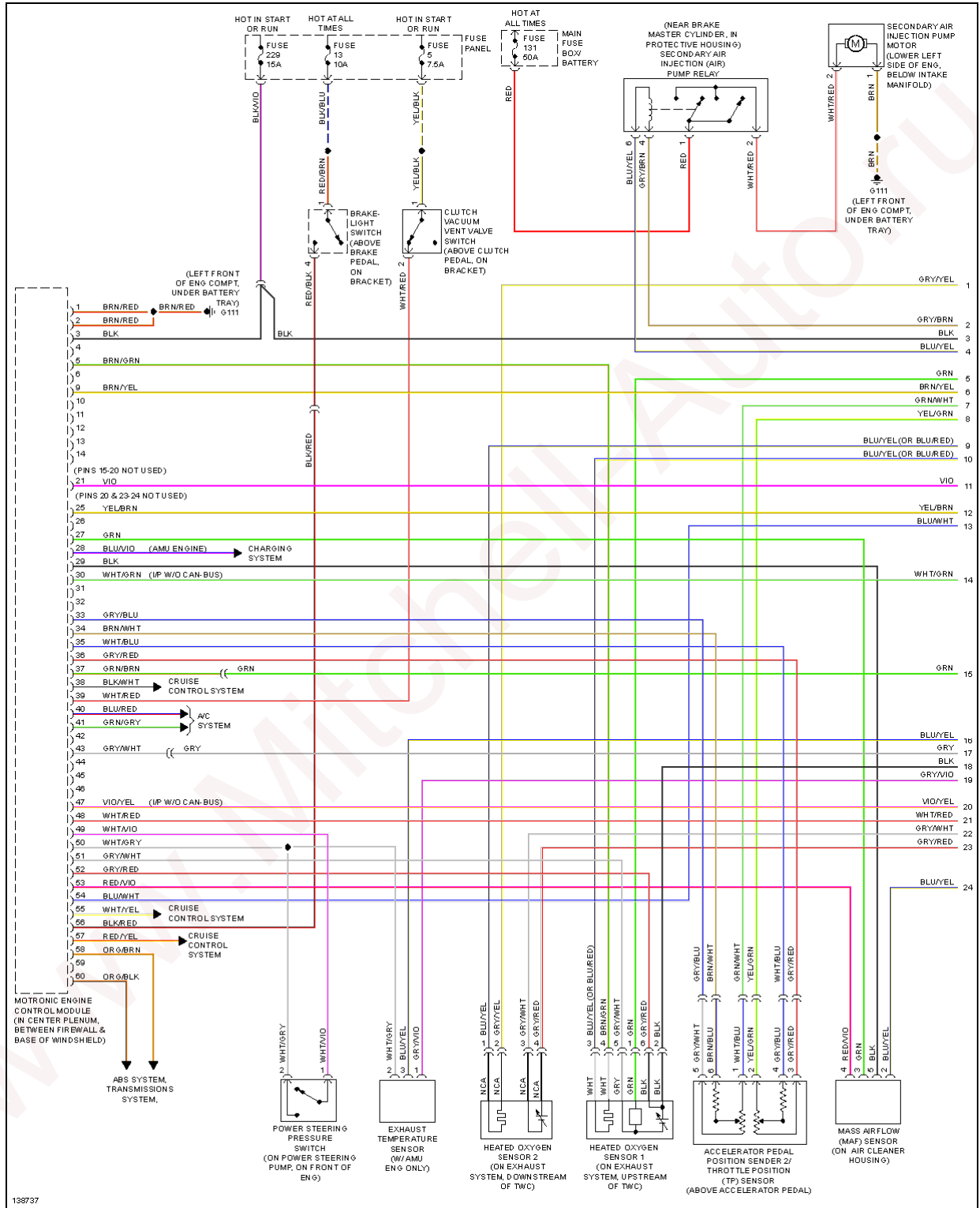


Fig. 13: 1.8L, Engine Performance Circuit (1 of 3)

2001 Audi TT

SYSTEM WIRING DIAGRAMS Audi - TT

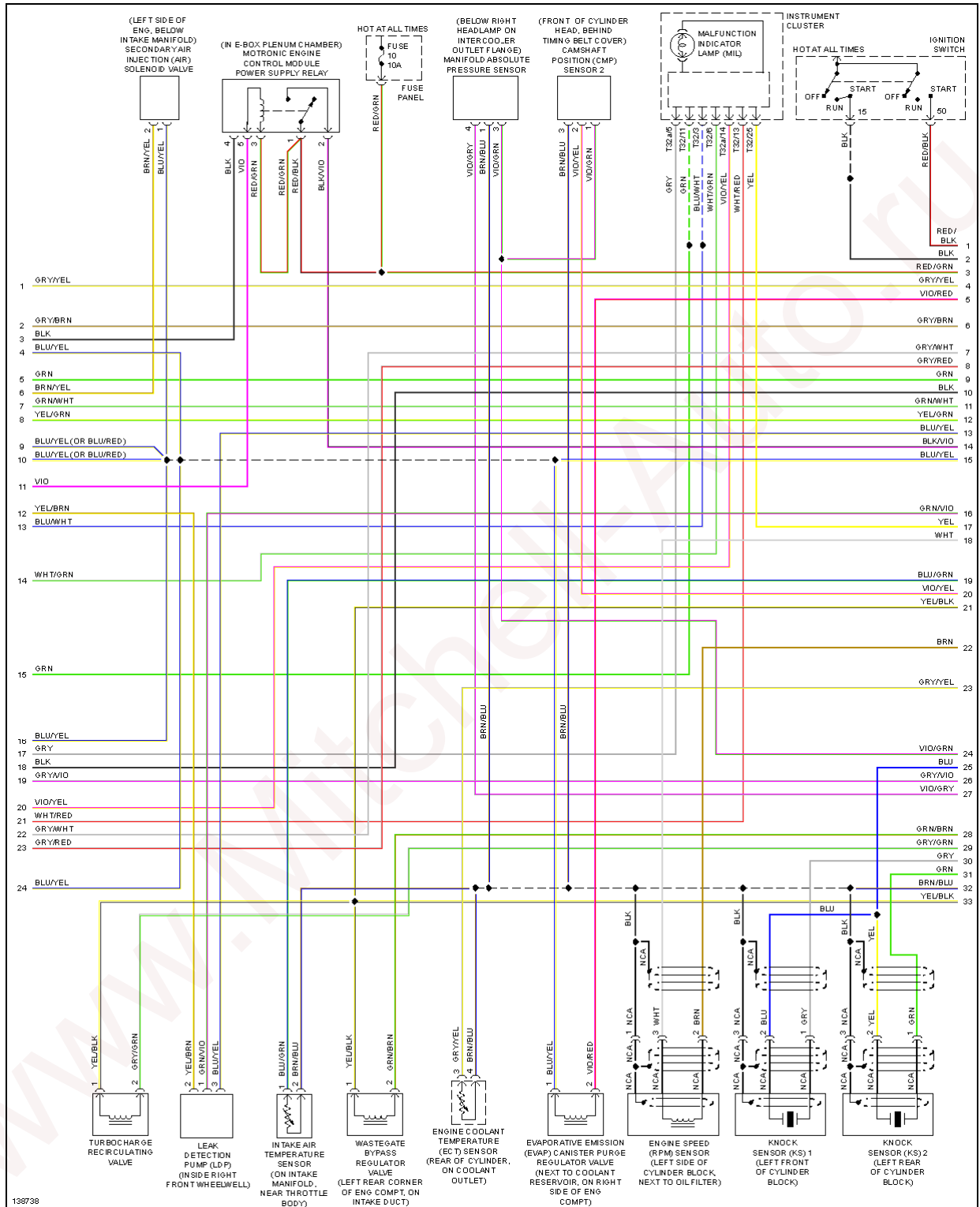


Fig. 14: 1.8L, Engine Performance Circuit (2 of 3)

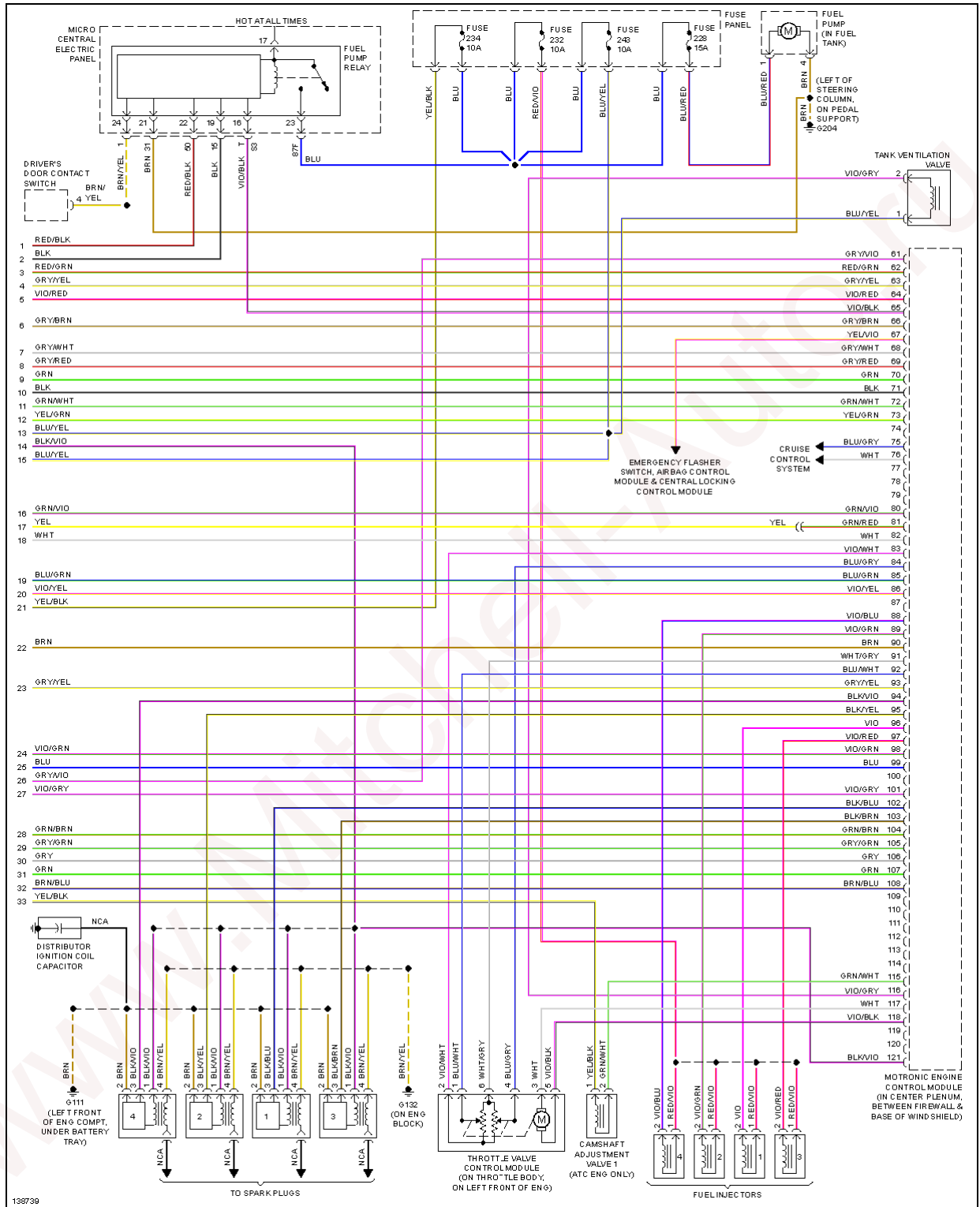


Fig. 15: 1.8L, Engine Performance Circuit (3 of 3)

EXTERIOR LIGHTS

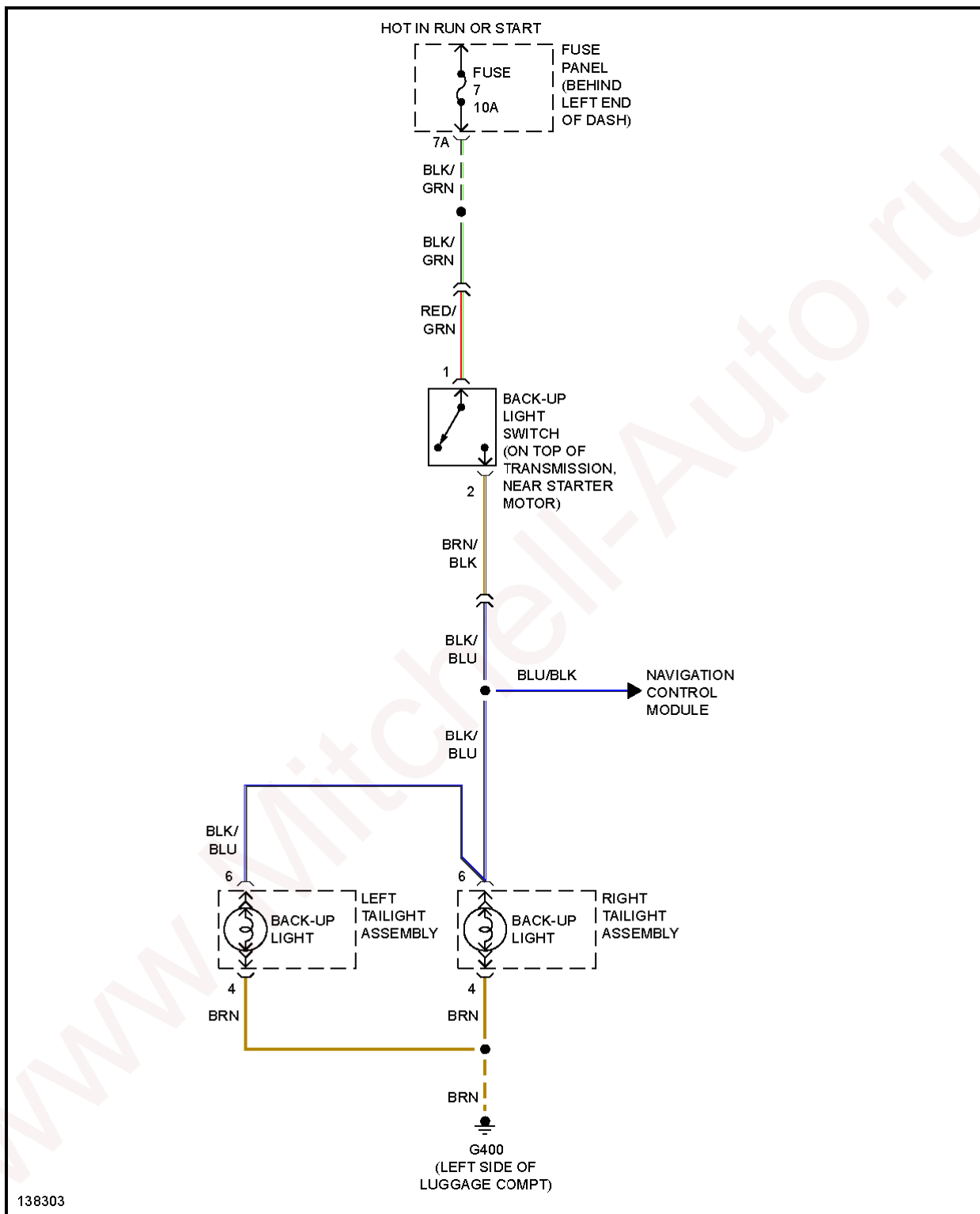


Fig. 16: Back-up Lamps Circuit

2001 Audi TT

SYSTEM WIRING DIAGRAMS Audi - TT

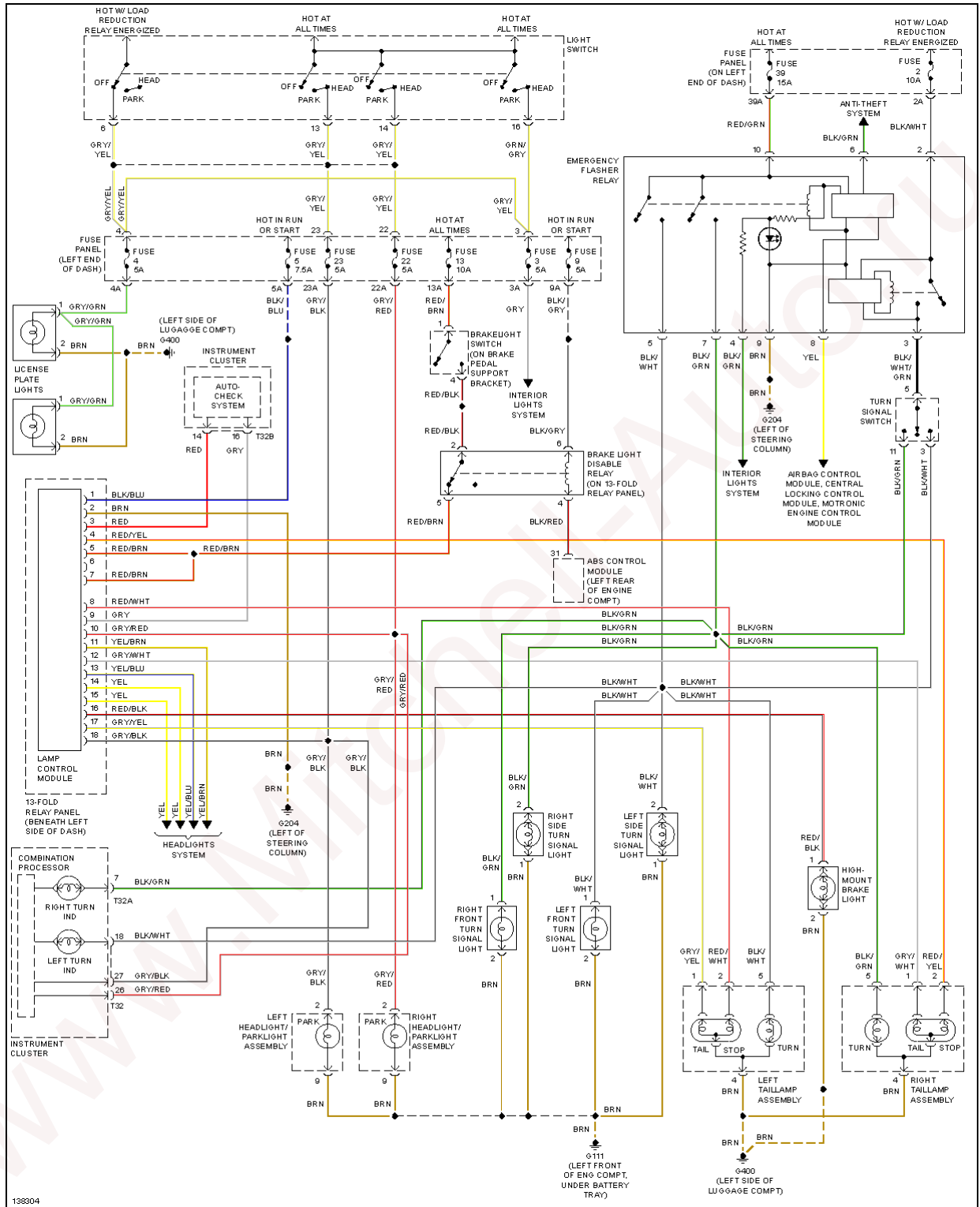


Fig. 17: Exterior Lamps Circuit, W/ DRL, W/ Driver Information Center

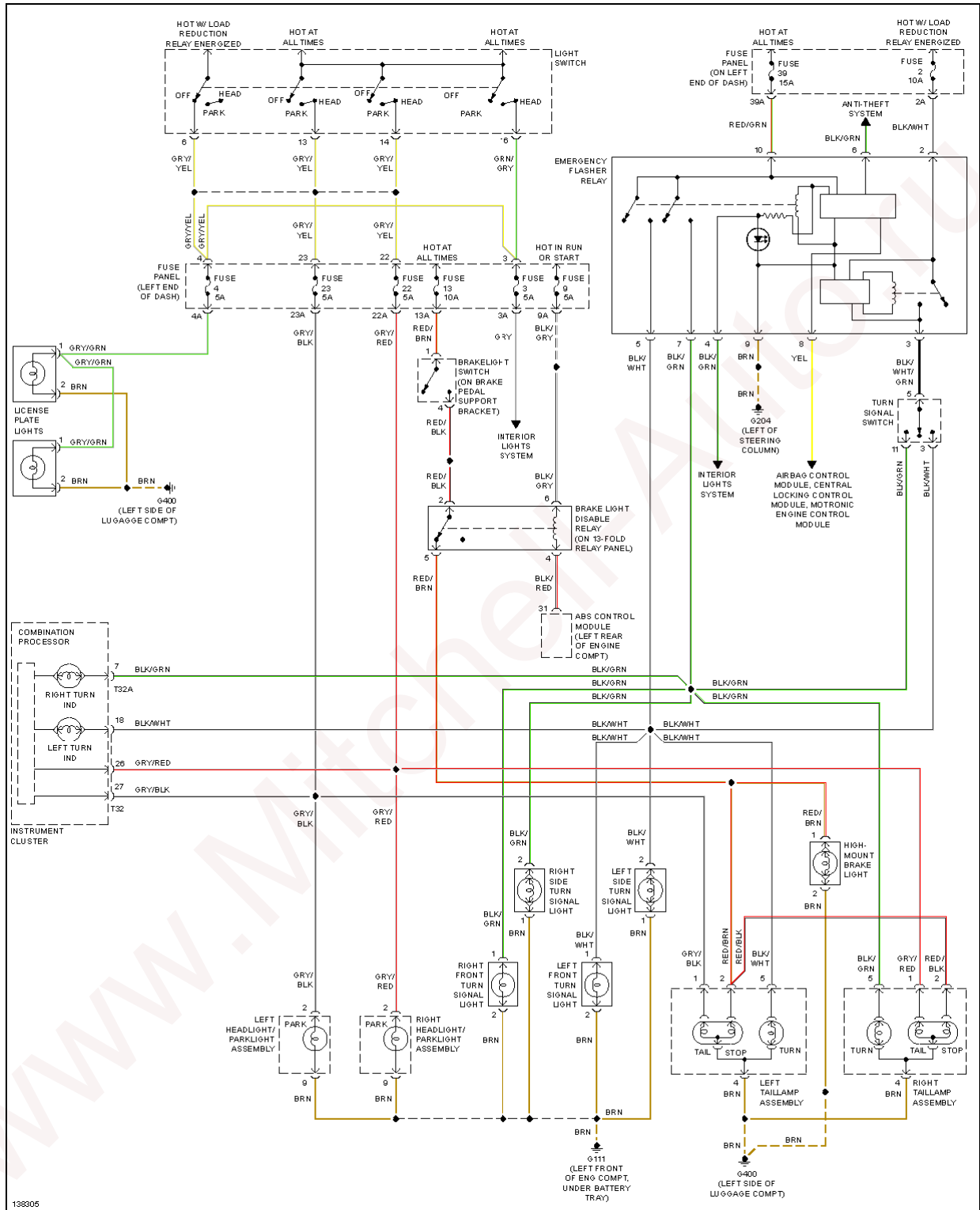


Fig. 18: Exterior Lamps Circuit, W/ DRL, W/O Driver Information Center

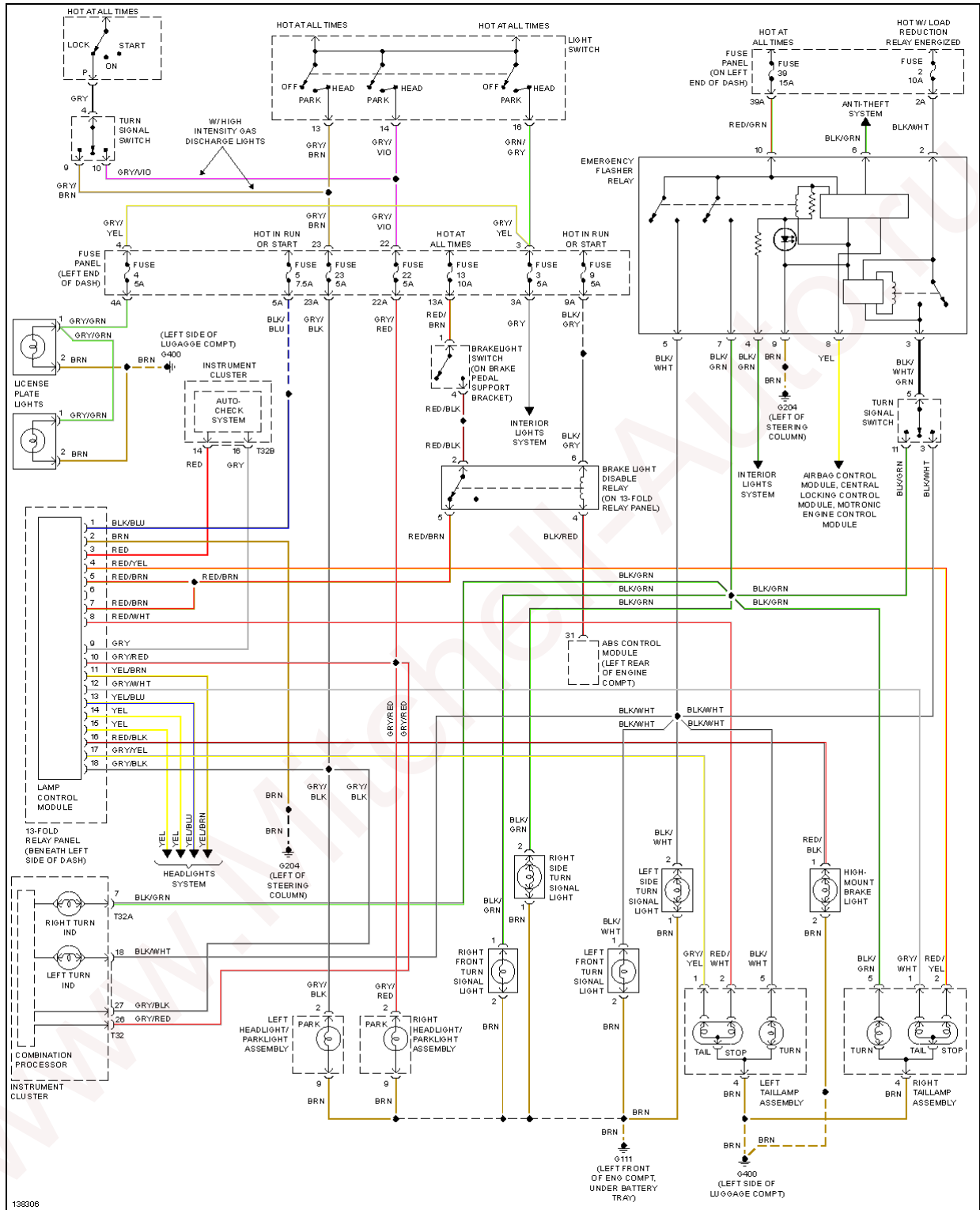


Fig. 19: Exterior Lamps Circuit, W/O DRL, W/ Driver Information Center

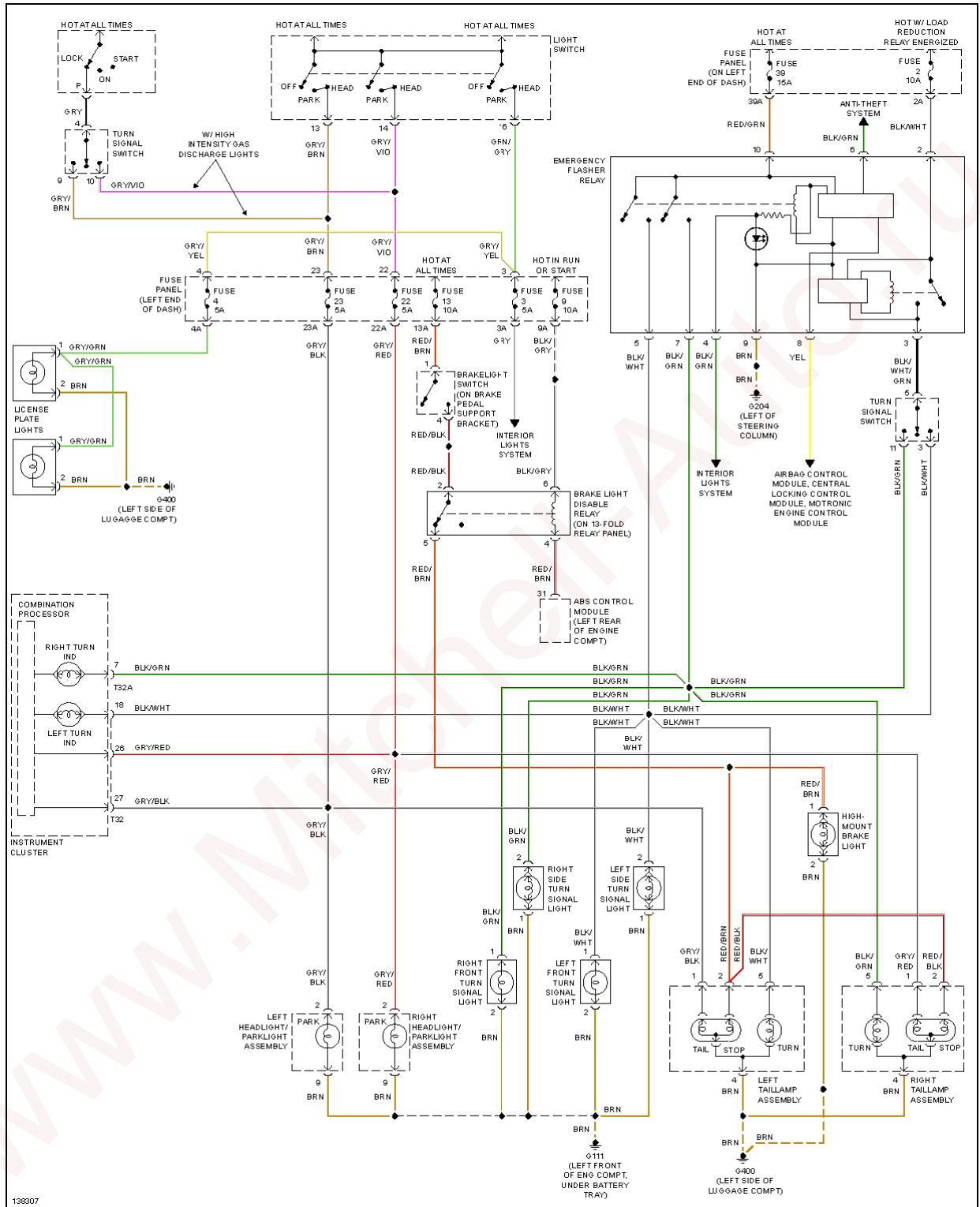


Fig. 20: Exterior Lamps Circuit, W/O DRL, W/O Driver Side Information Center

GROUND DISTRIBUTION

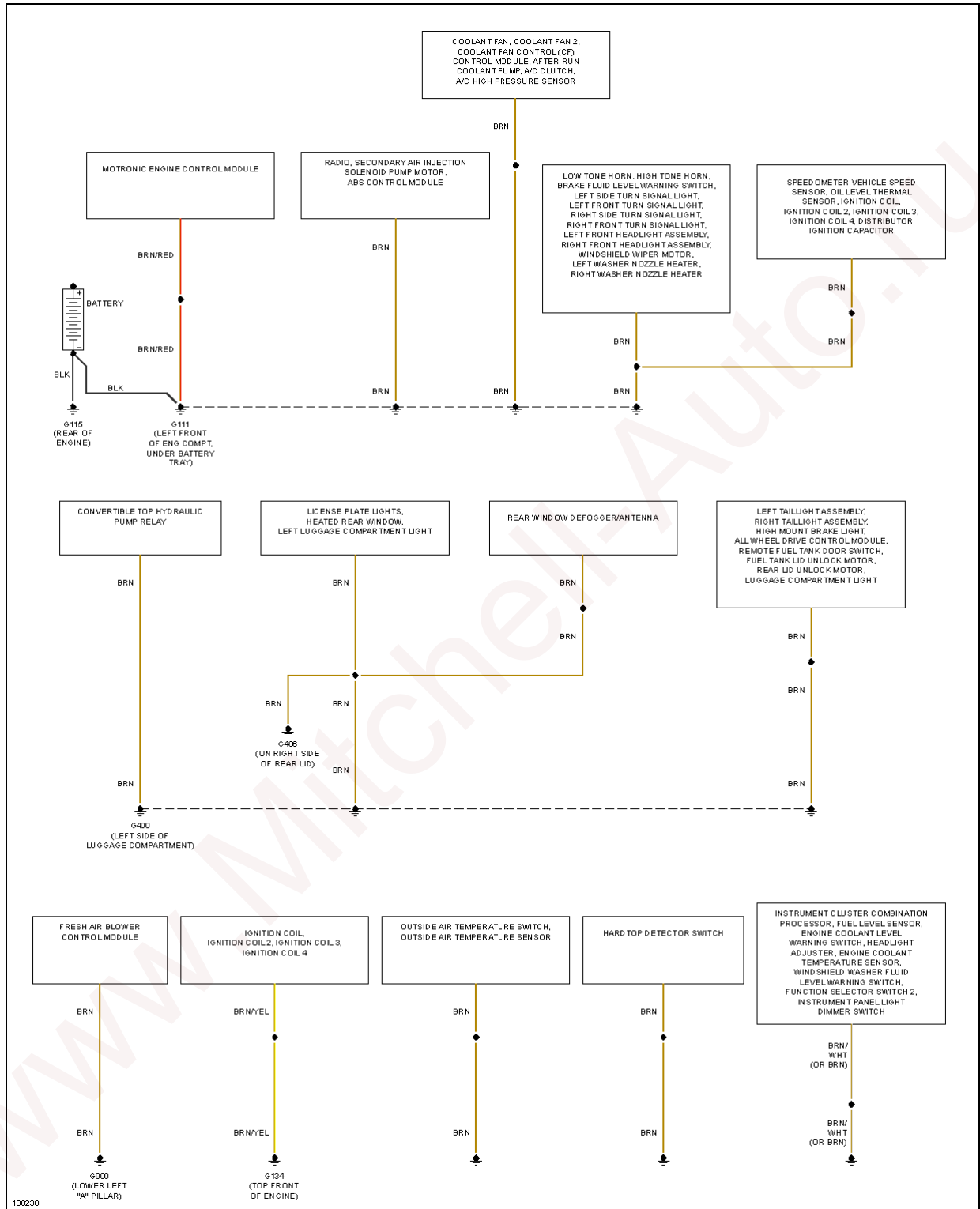
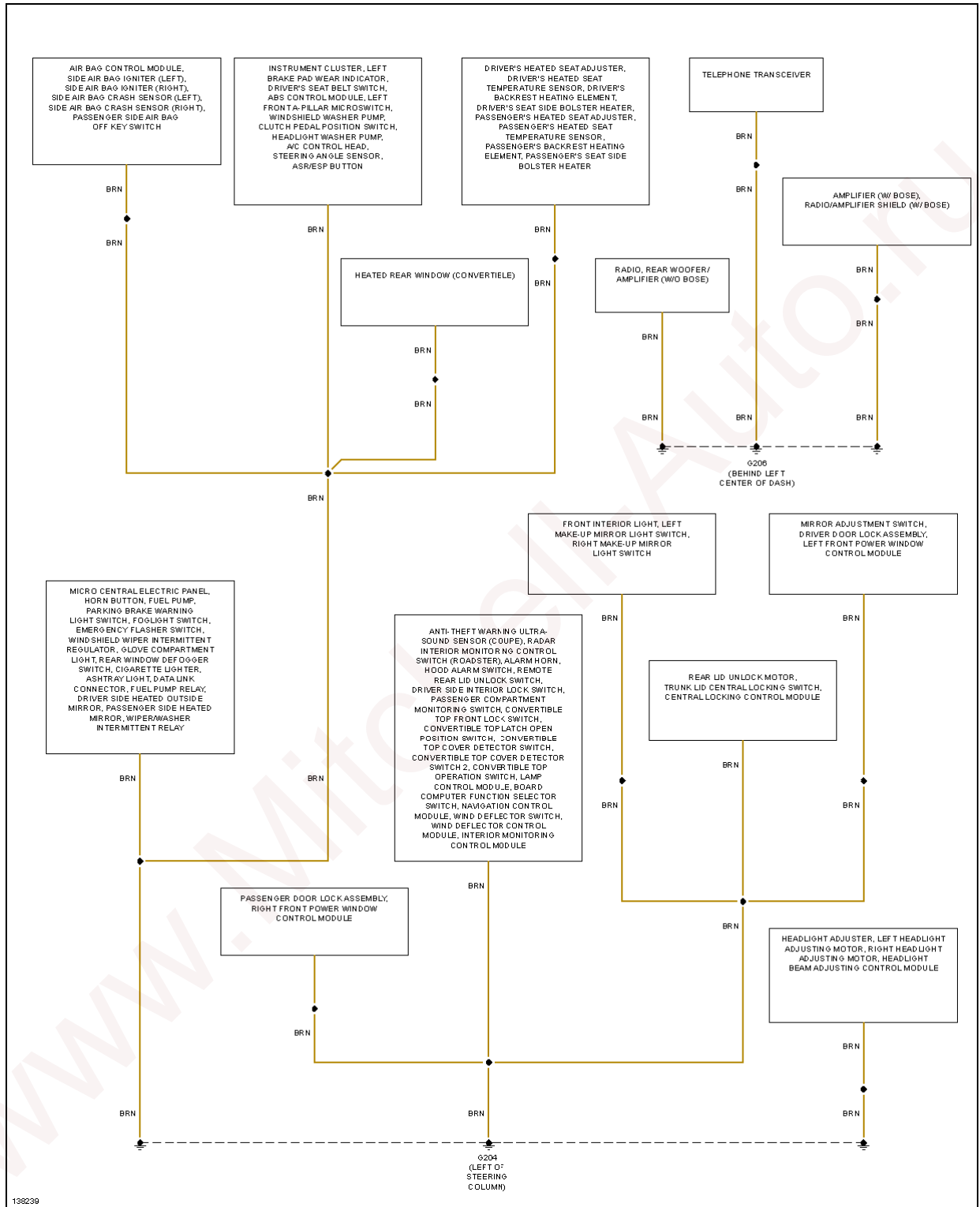


Fig. 21: Ground Distribution Circuit (1 of 2)



138239

Fig. 22: Ground Distribution Circuit (2 of 2)

HEADLIGHTS

2001 Audi TT

SYSTEM WIRING DIAGRAMS Audi - TT

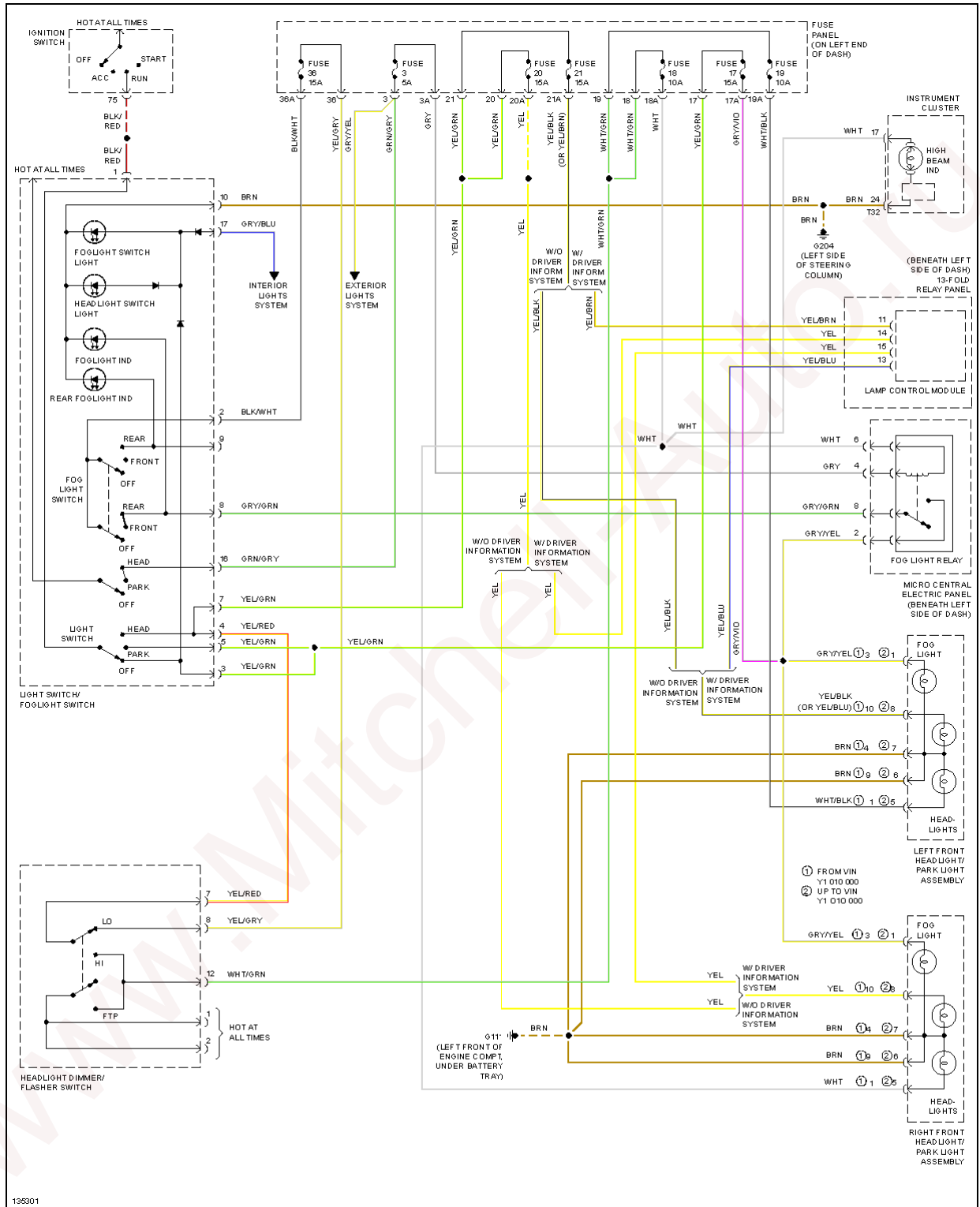


Fig. 23: Headlamps Circuit, W/ DRL

2001 Audi TT

SYSTEM WIRING DIAGRAMS Audi - TT

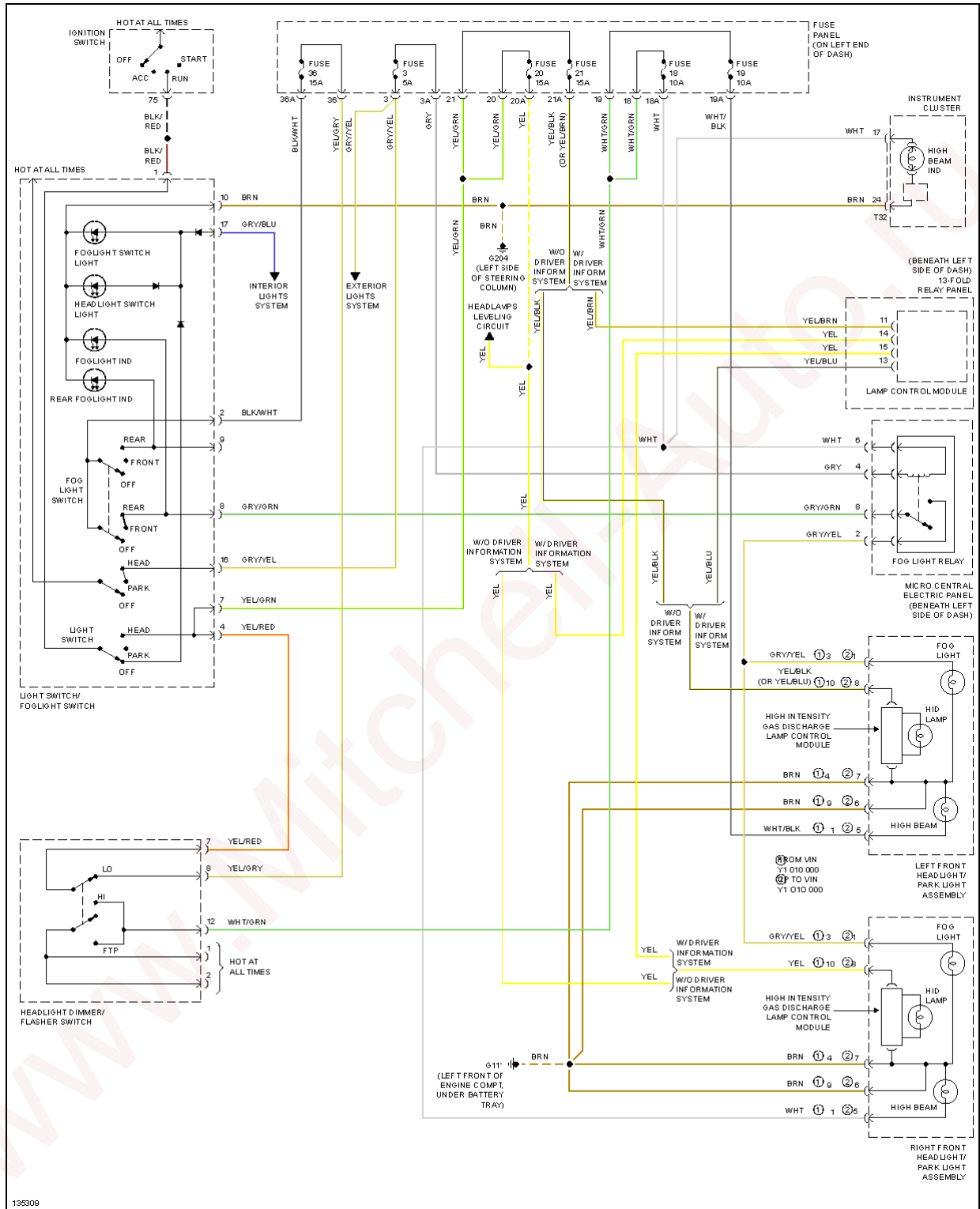


Fig. 24: Headlamps Circuit, W/ High Intensity Gas Discharge Headlights

2001 Audi TT

SYSTEM WIRING DIAGRAMS Audi - TT

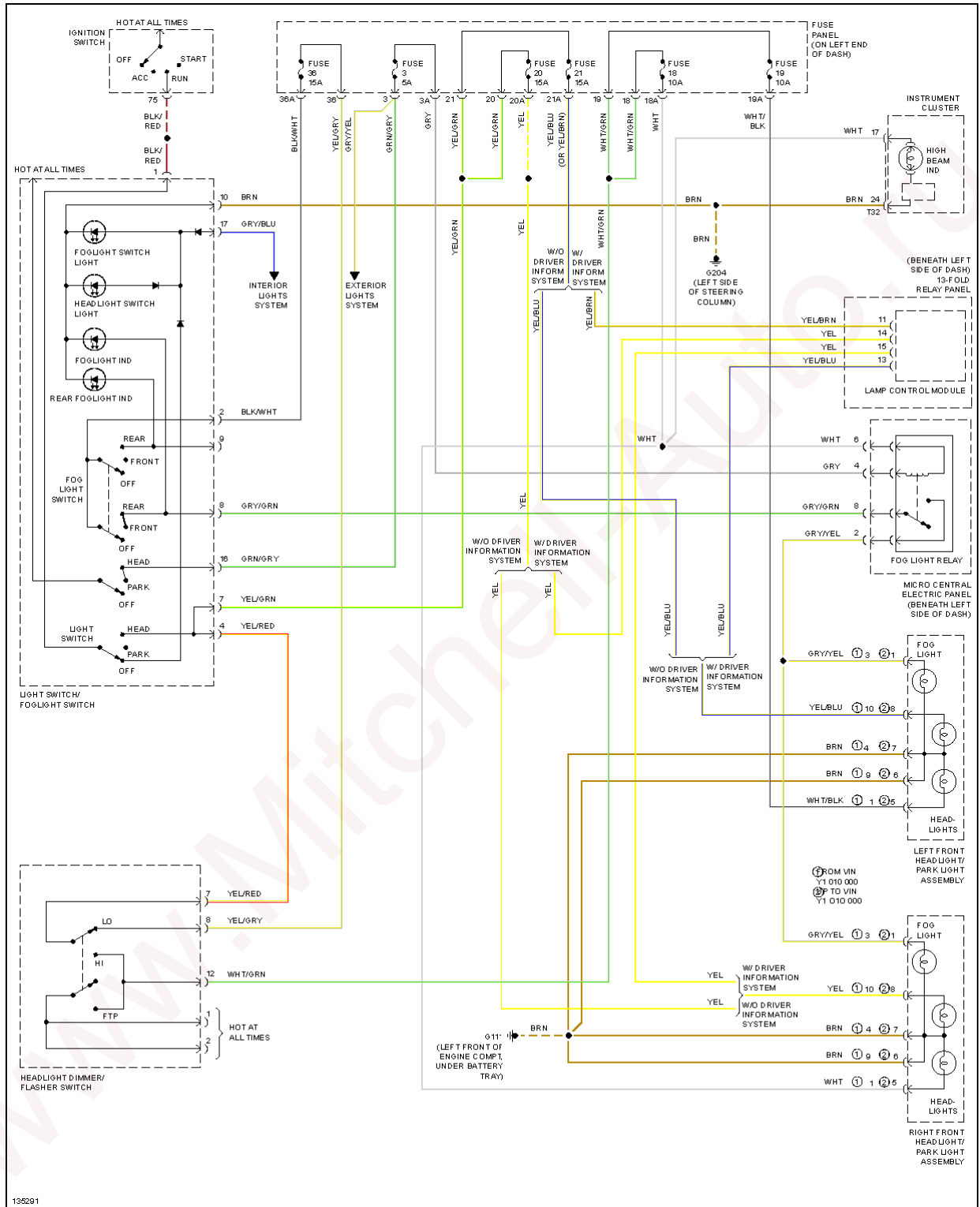


Fig. 25: Headlamps Circuit, W/O DRL W/O High Intensity Gas Discharge Headlights, W/O DRL, W/O High Intensity Gas Discharge Headlights

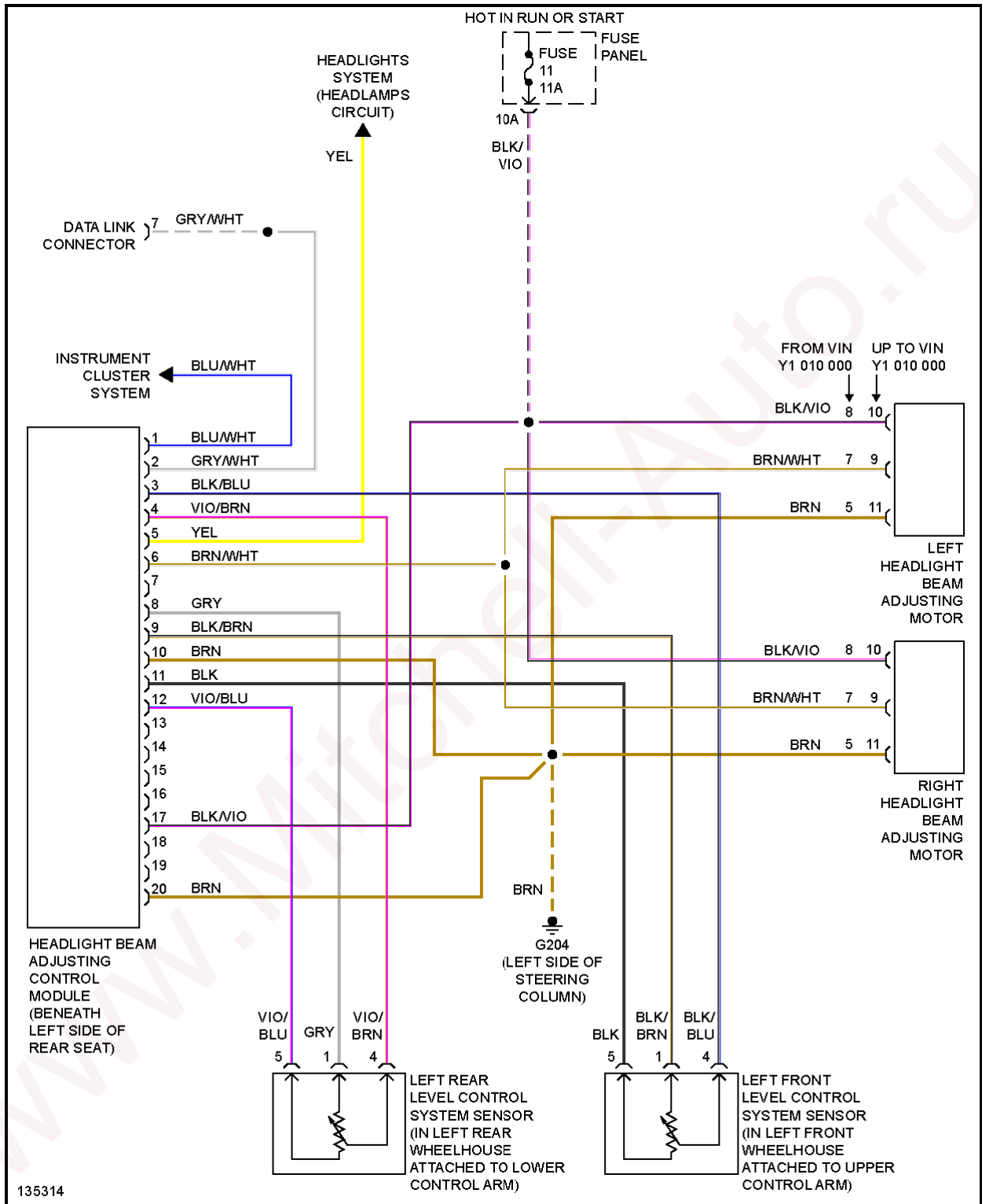


Fig. 26: Headlamps Leveling Circuit, W/ High Intensity Gas Discharge Headlights

HORN

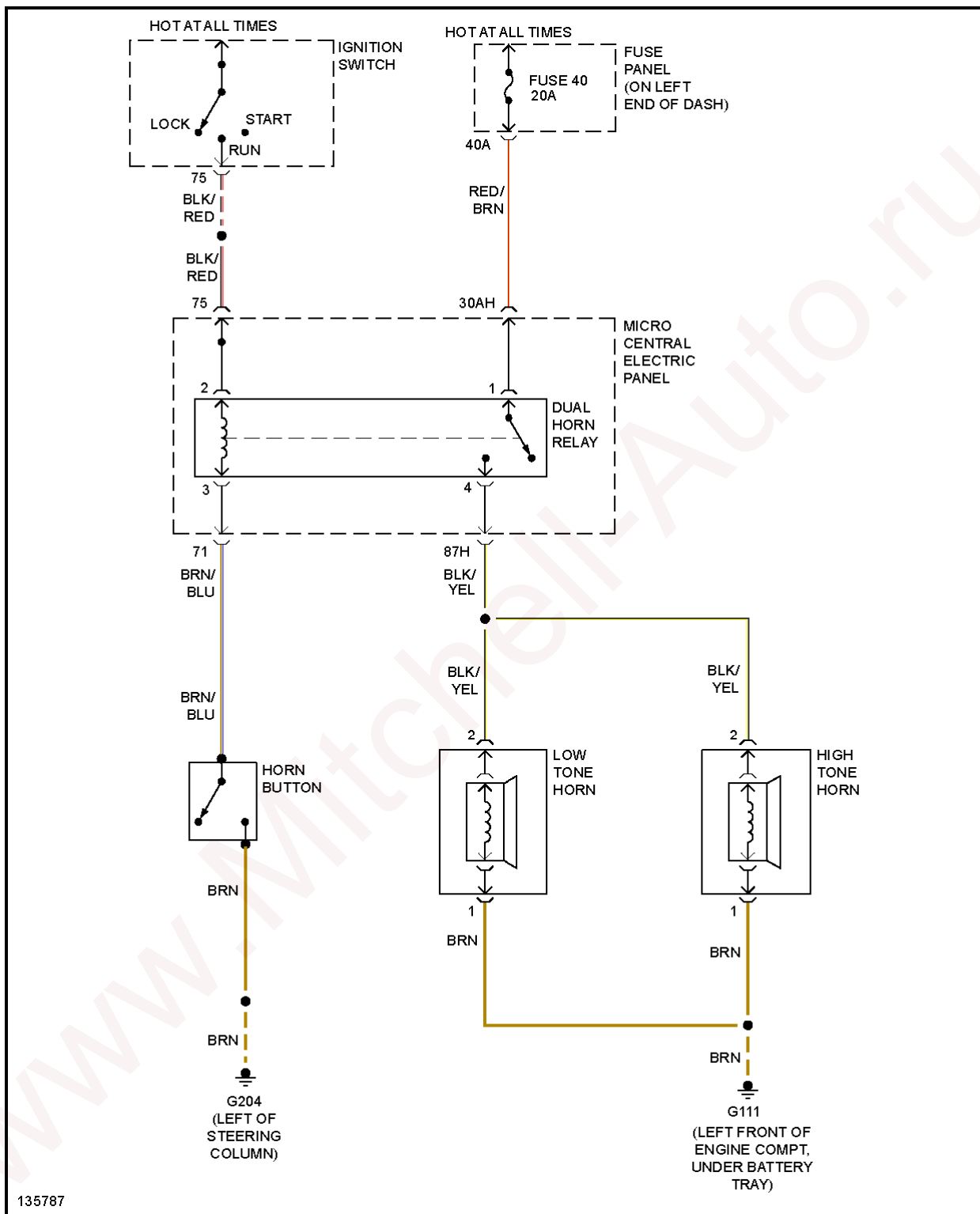


Fig. 27: Horn Circuit

INSTRUMENT CLUSTER

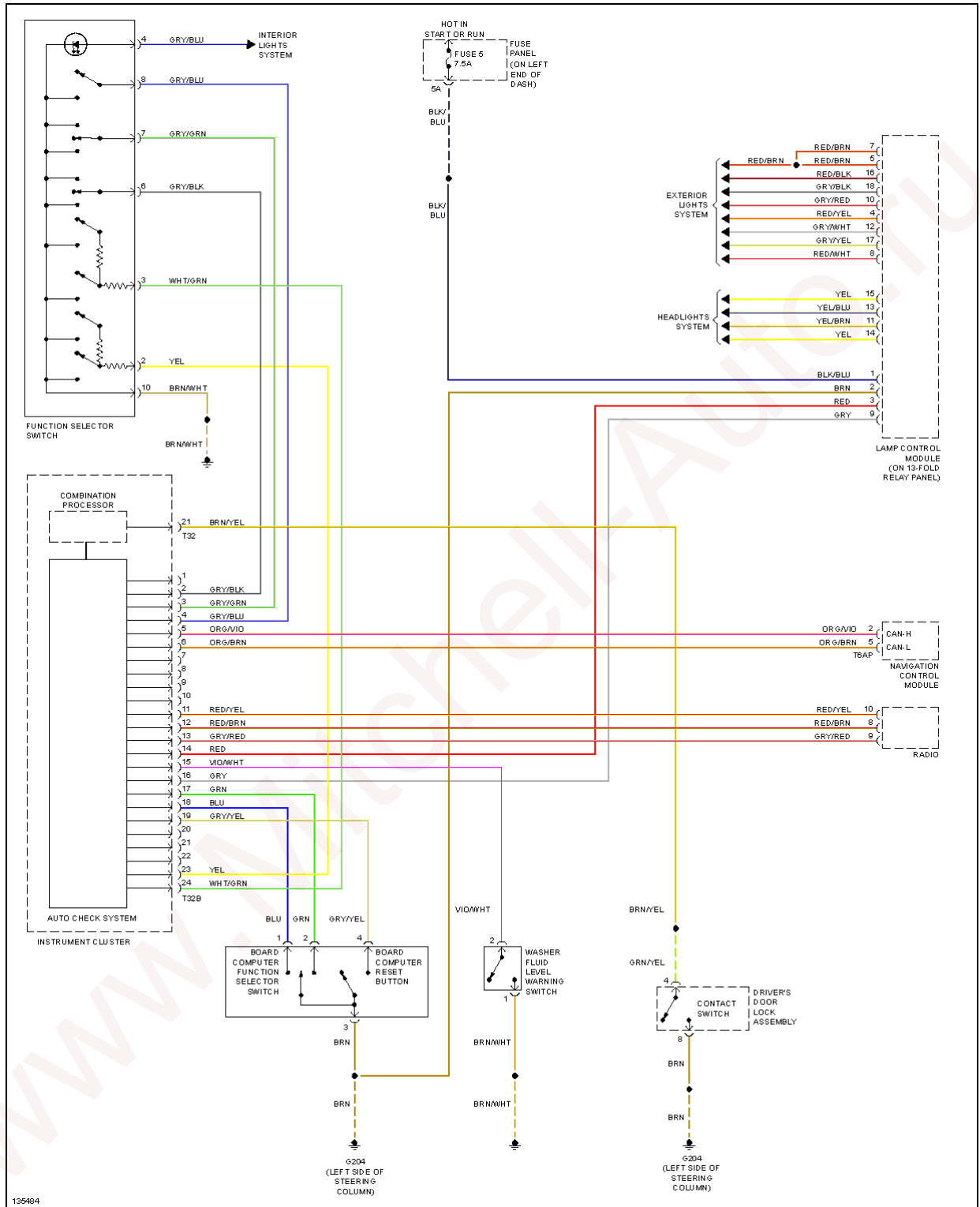


Fig. 28: Auto Check System Circuit

2001 Audi TT

SYSTEM WIRING DIAGRAMS Audi - TT

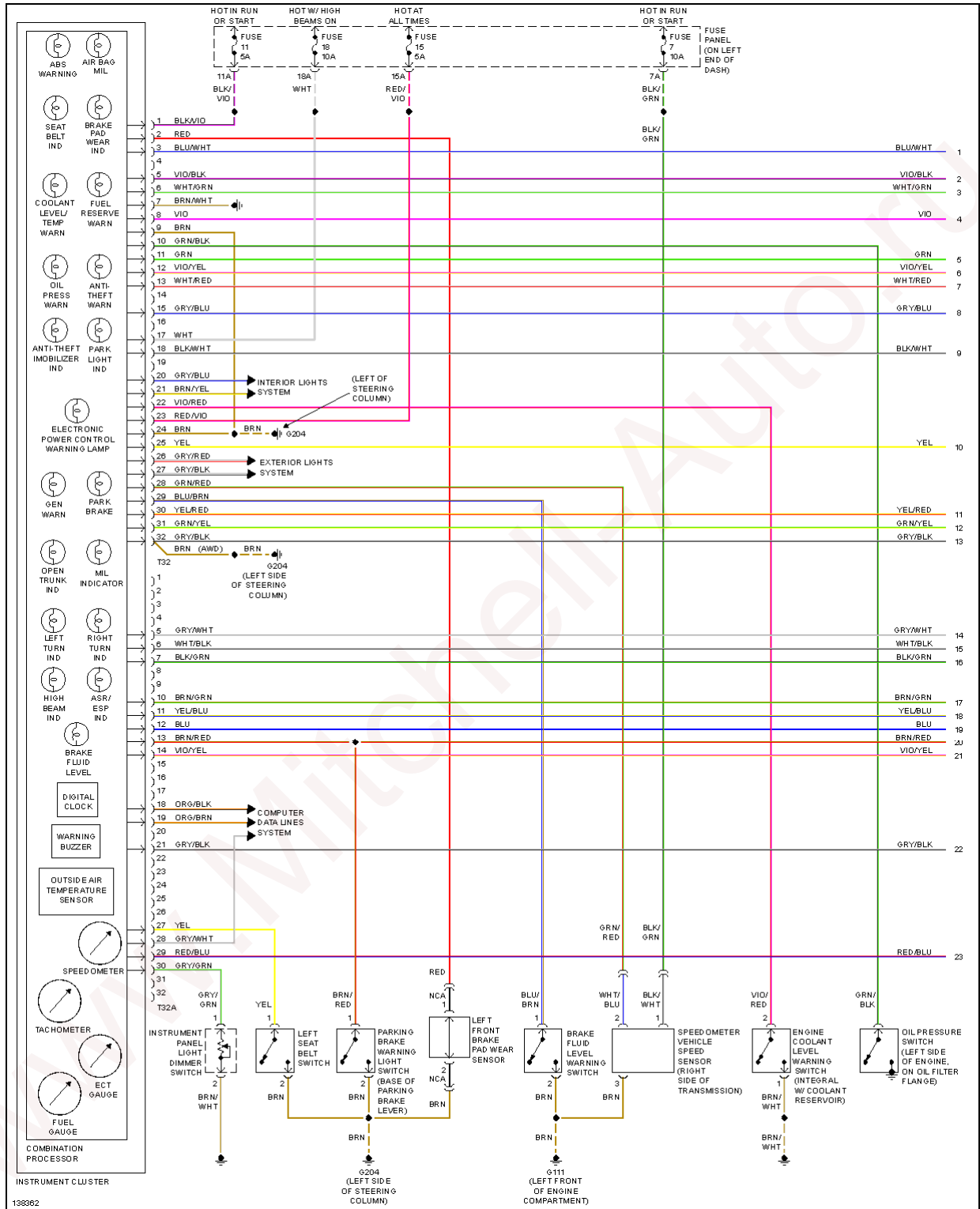


Fig. 29: Instrument Cluster Circuit (1 of 2)

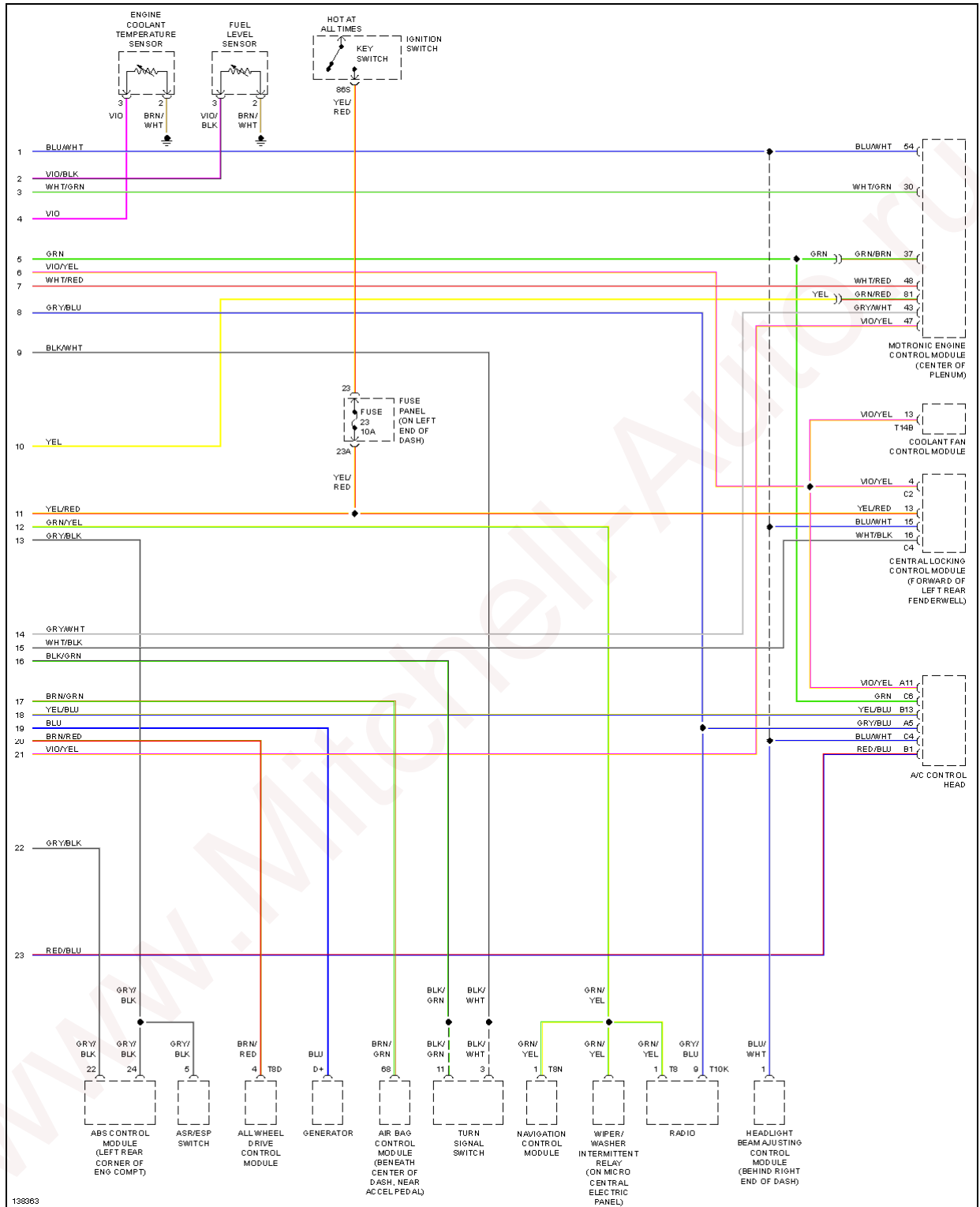


Fig. 30: Instrument Cluster Circuit (2 of 2)

INTERIOR LIGHTS

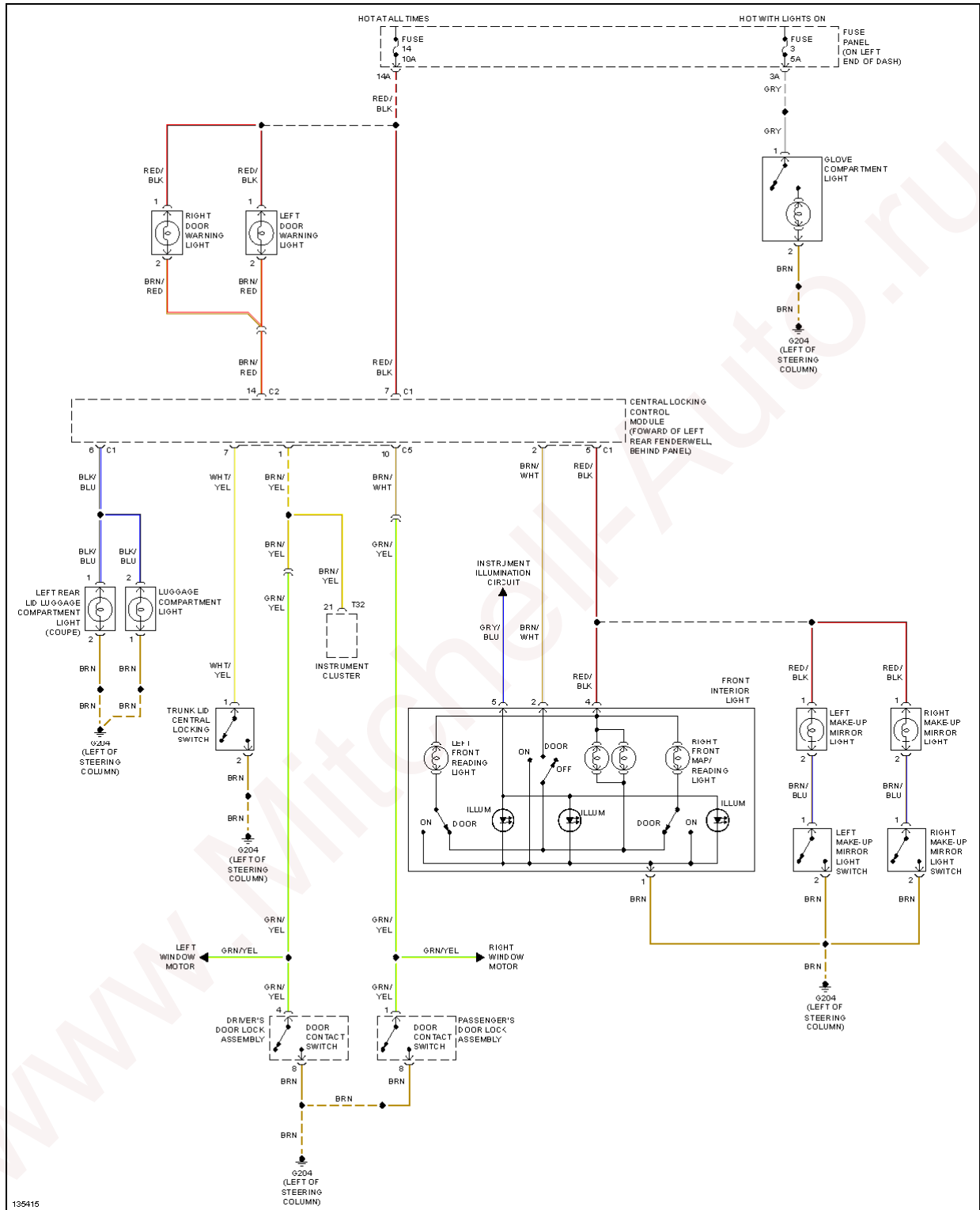


Fig. 31: Courtesy Lamps Circuit

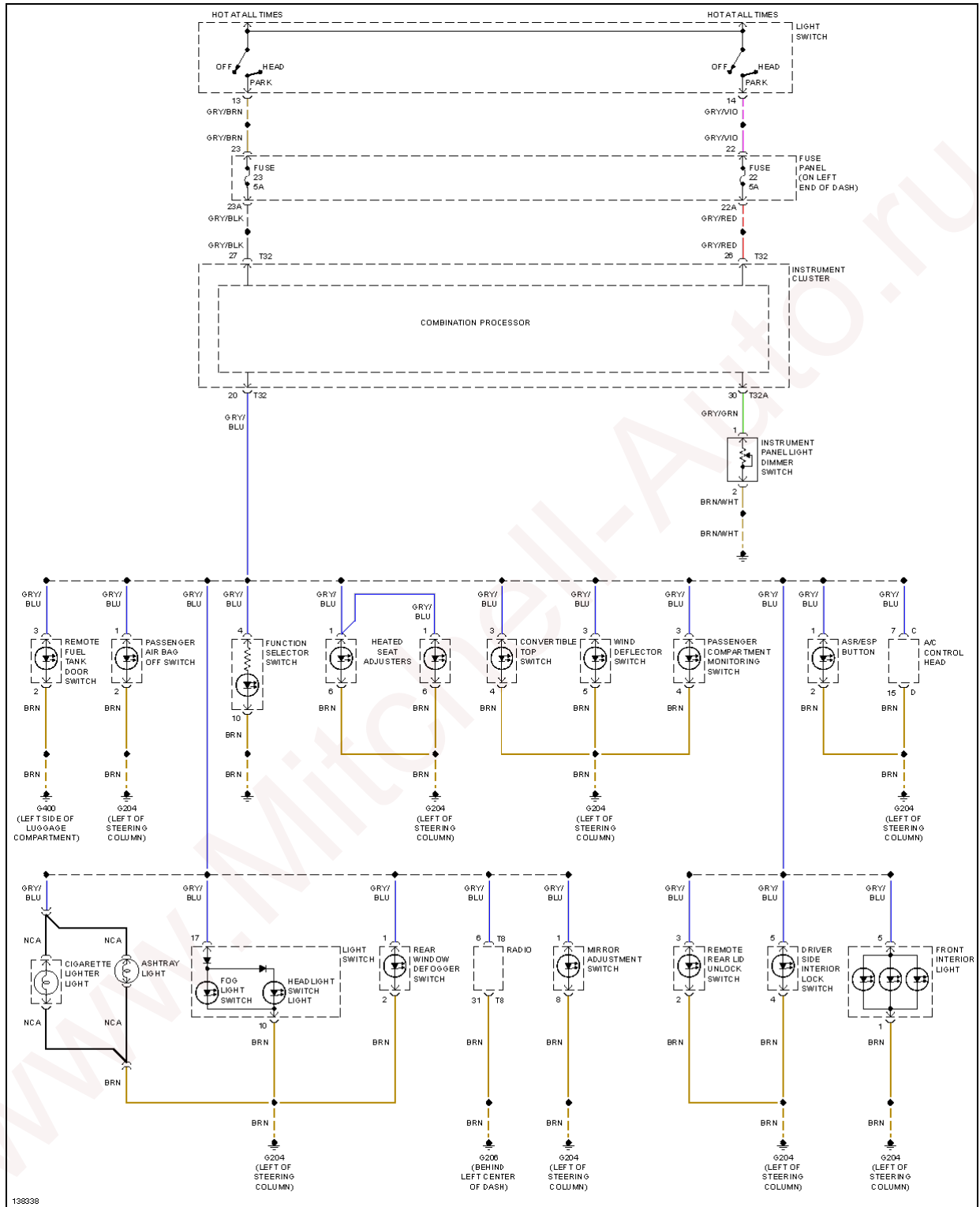


Fig. 32: Instrument Illumination Circuit

NAVIGATION

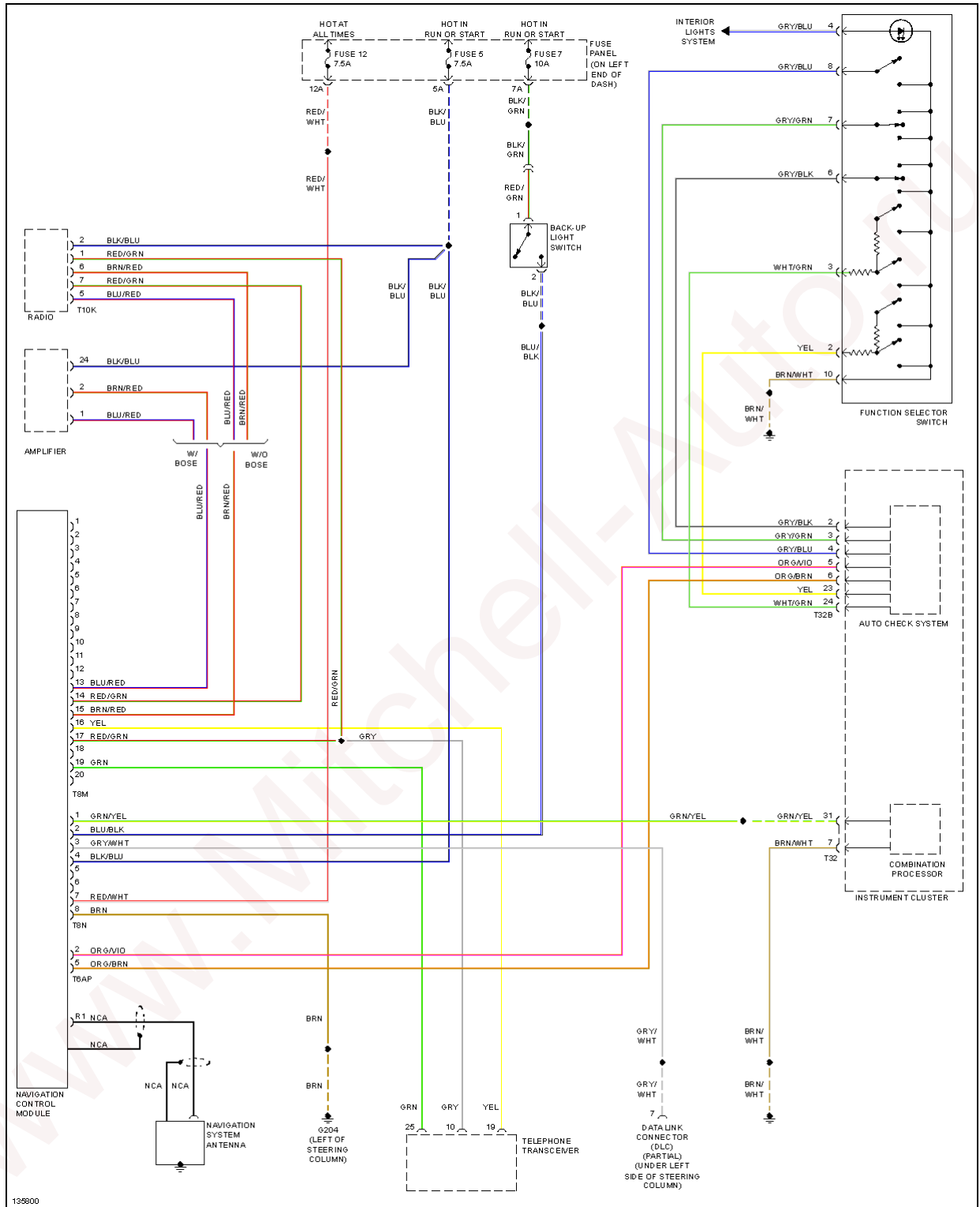


Fig. 33: Navigation Circuit

POWER DISTRIBUTION

2001 Audi TT

SYSTEM WIRING DIAGRAMS Audi - TT

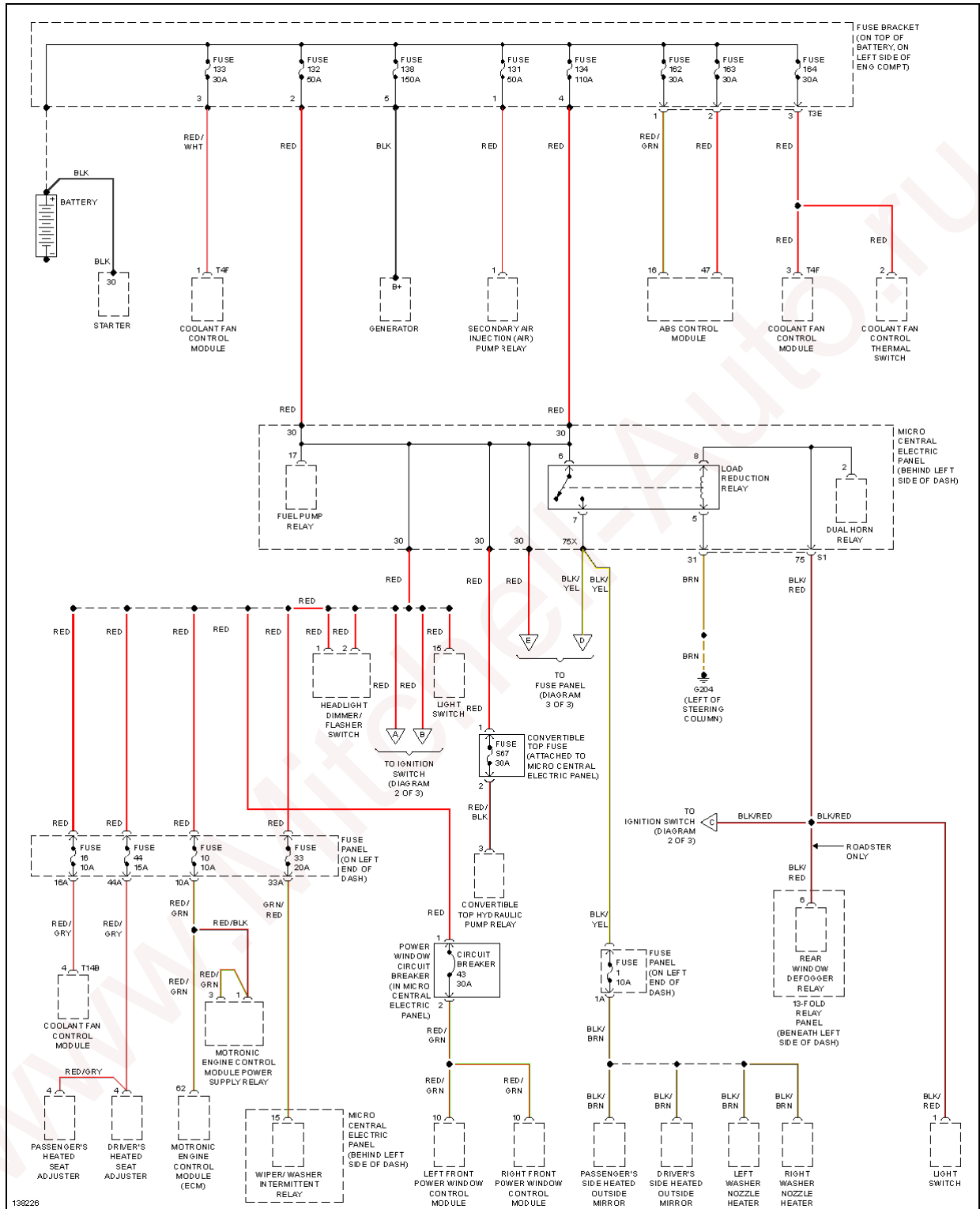


Fig. 34: Power Distribution Circuit (1 of 3)

2001 Audi TT

SYSTEM WIRING DIAGRAMS Audi - TT

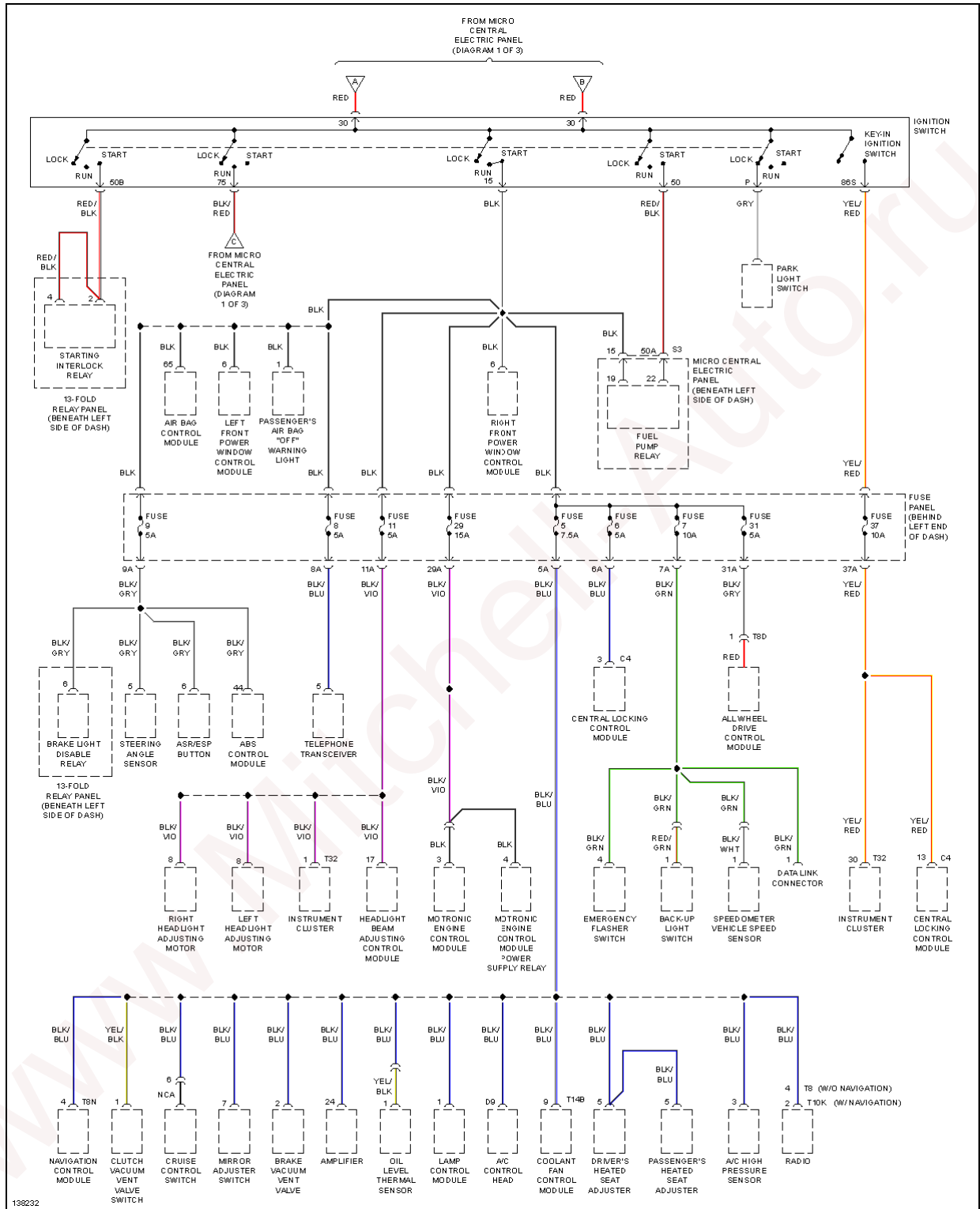


Fig. 35: Power Distribution Circuit (2 of 3)

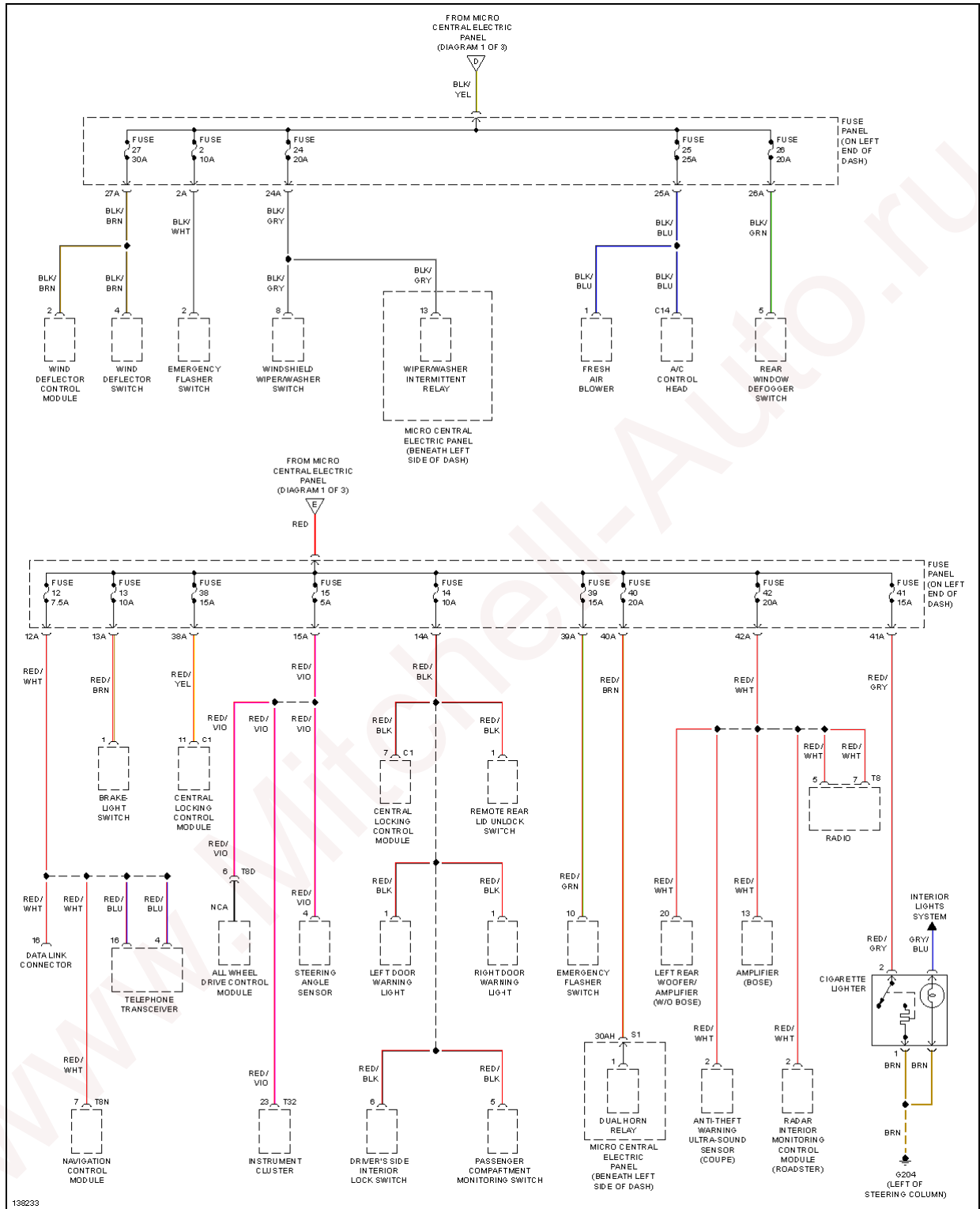


Fig. 36: Power Distribution Circuit (3 of 3)

POWER DOOR LOCKS

2001 Audi TT

SYSTEM WIRING DIAGRAMS Audi - TT

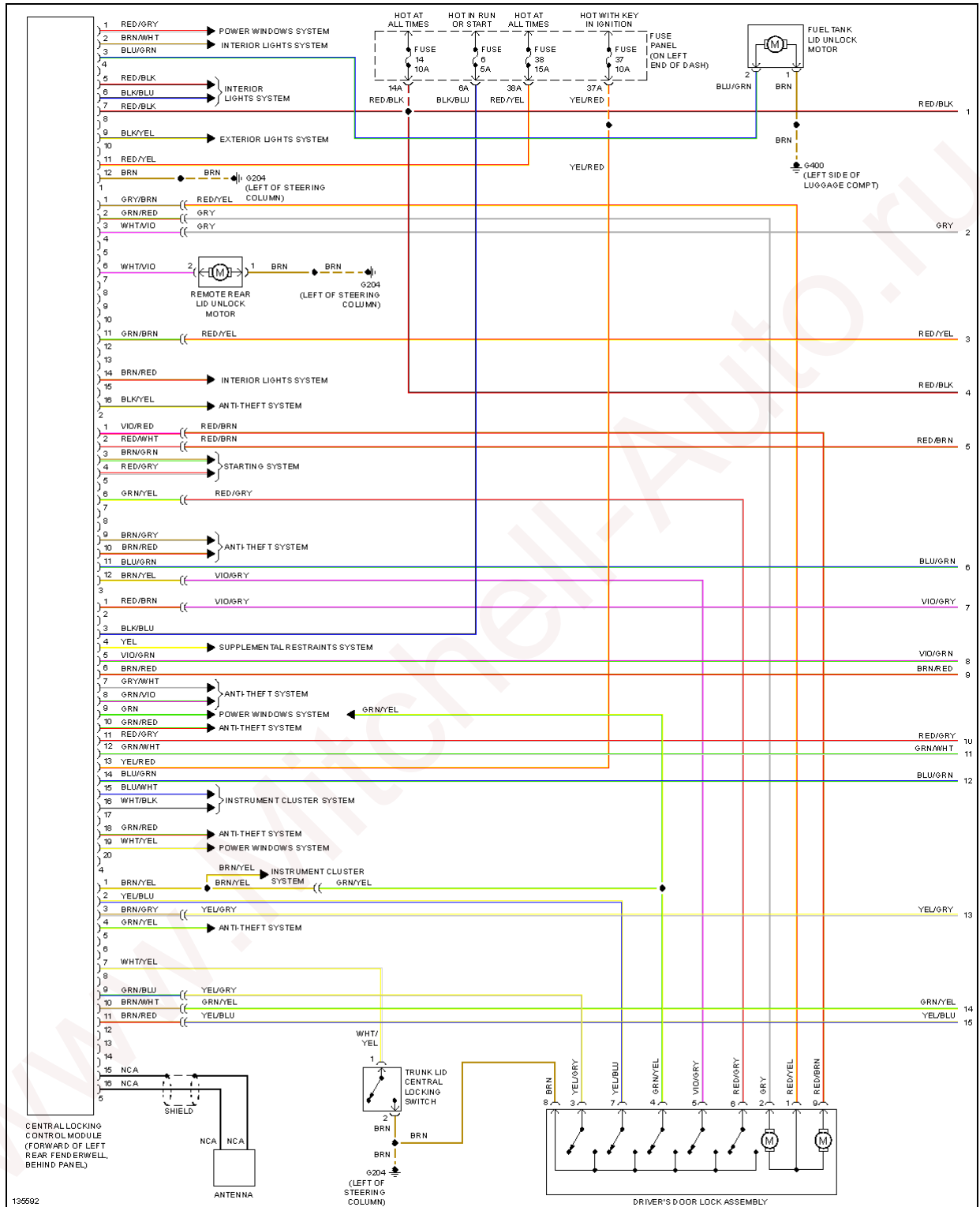


Fig. 37: Power Door Locks Circuit, Coupe (1 of 2)

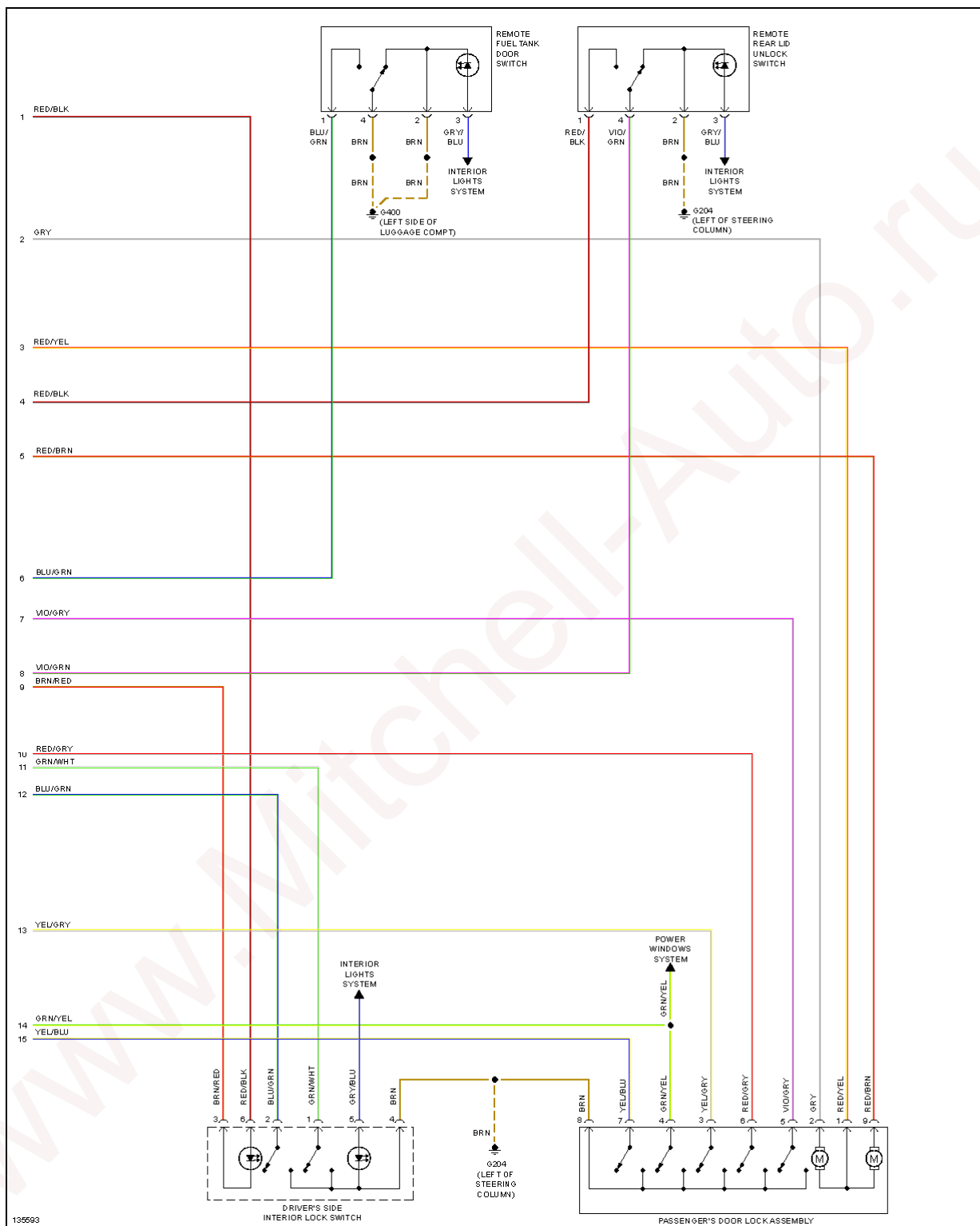


Fig. 38: Power Door Locks Circuit, Coupe (2 of 2)

2001 Audi TT

SYSTEM WIRING DIAGRAMS Audi - TT

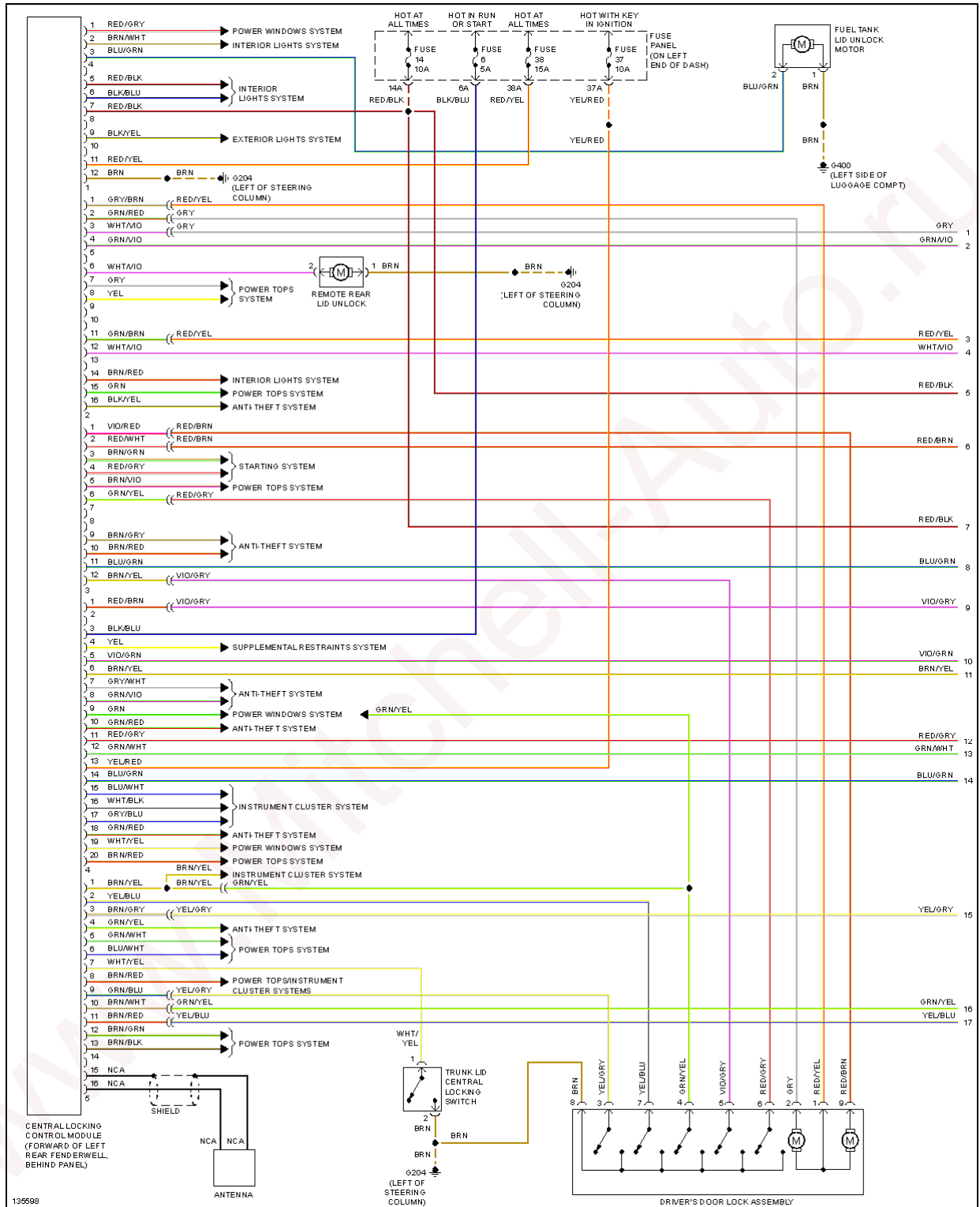


Fig. 39: Power Door Locks Circuit, Roadster (1 of 2)

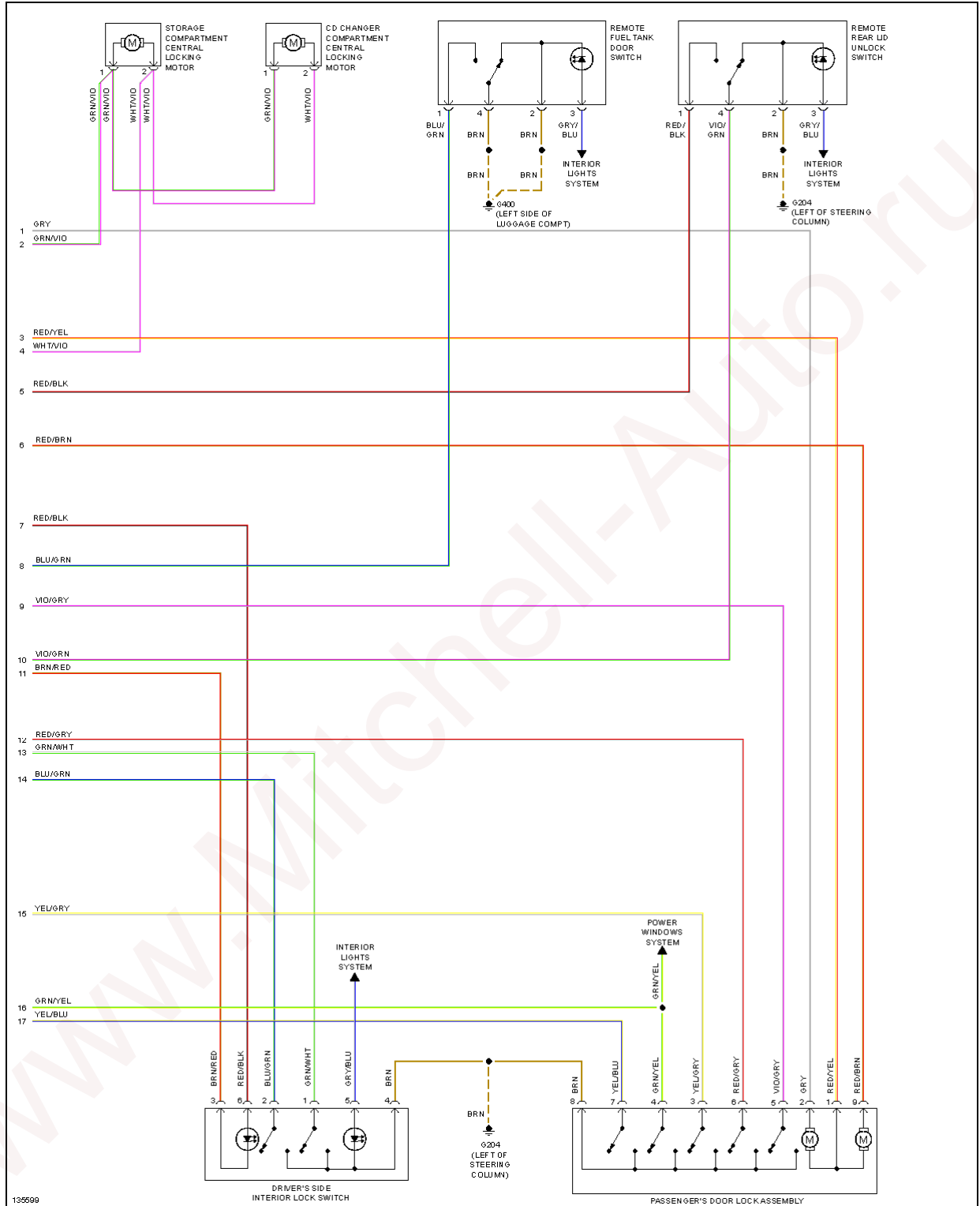
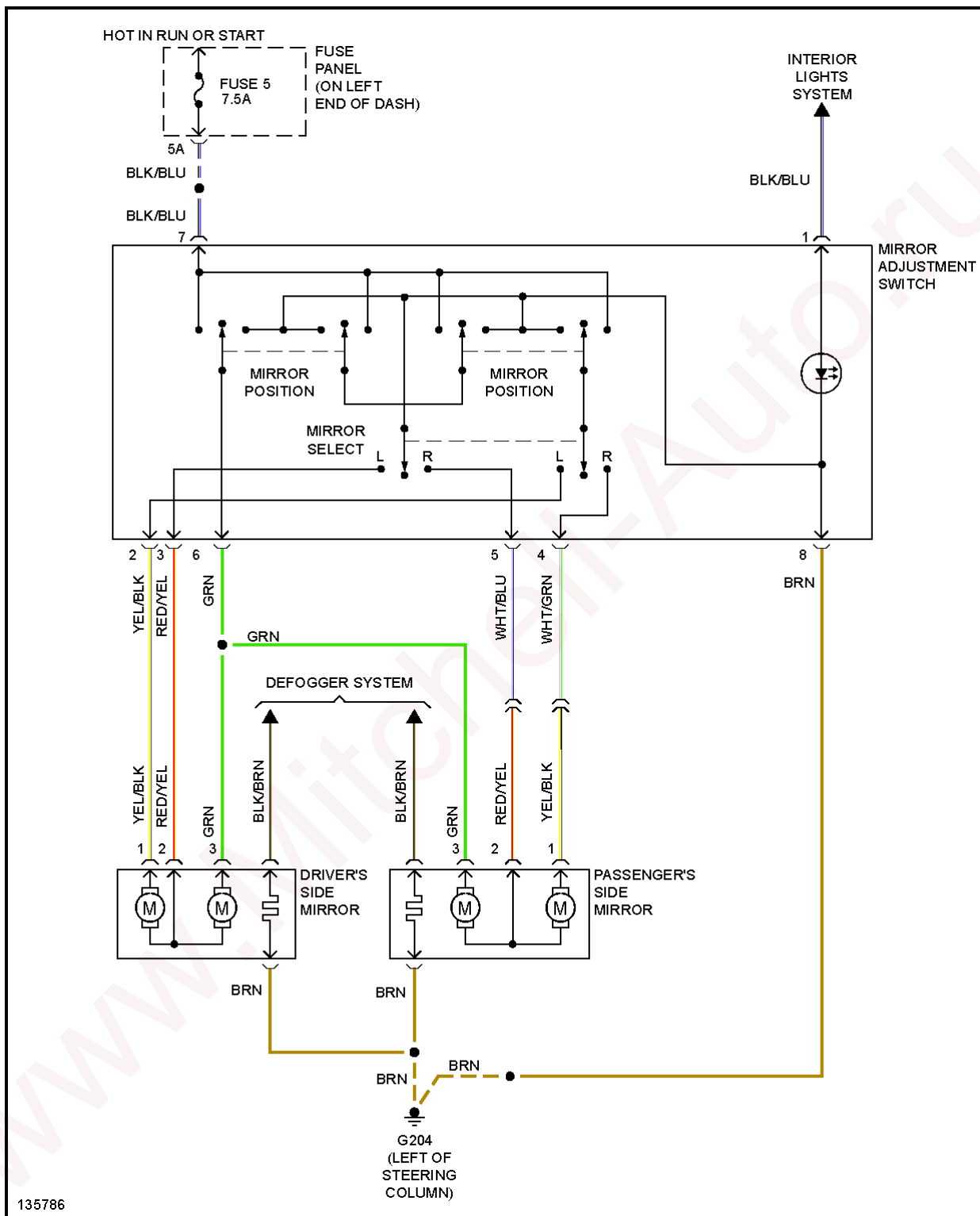


Fig. 40: Power Door Locks Circuit, Roadster (2 of 2)

POWER MIRRORS



135786

Fig. 41: Power Mirrors Circuit

POWER SEATS

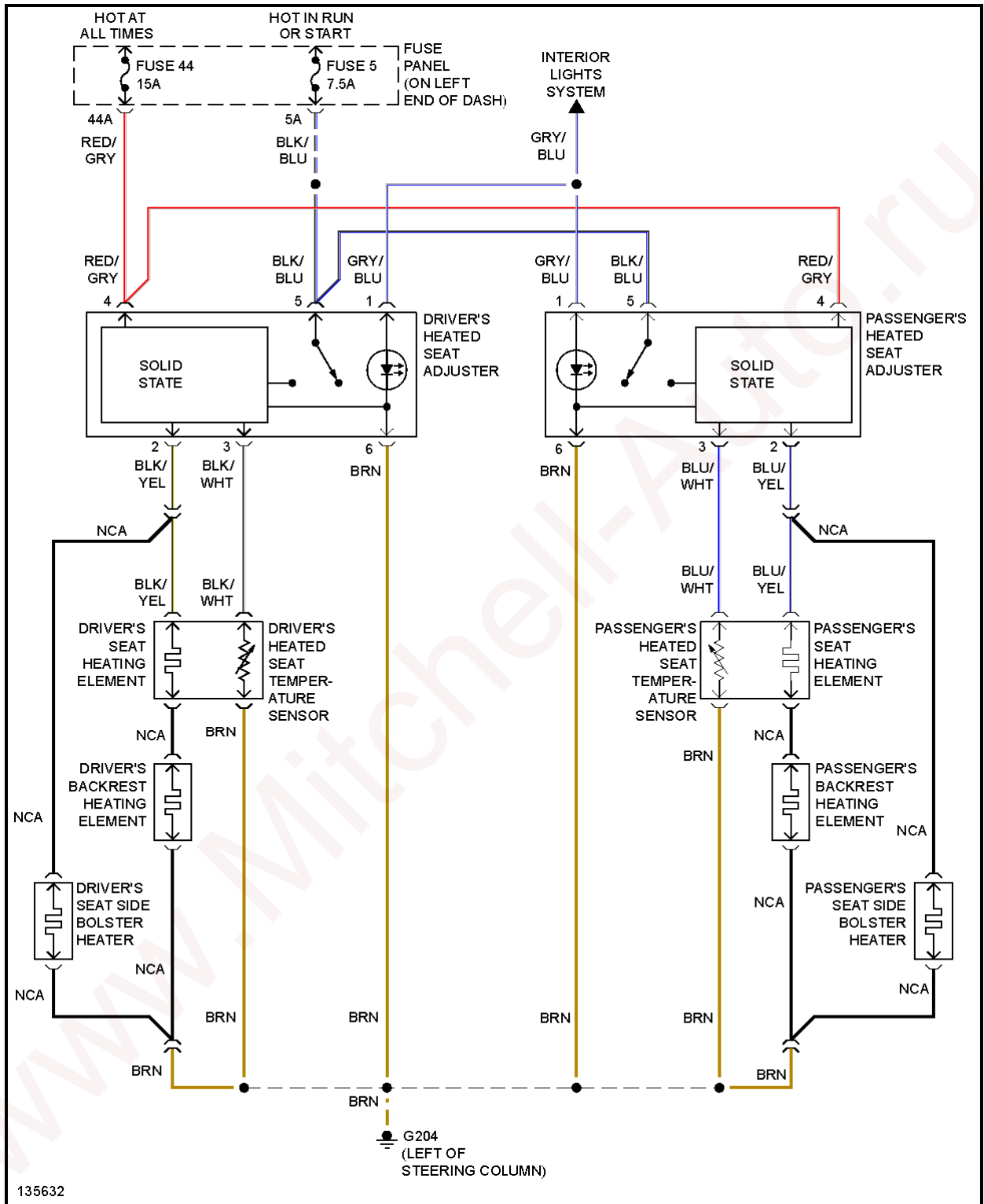


Fig. 42: Heated Seats Circuit

POWER TOP/SUNROOF

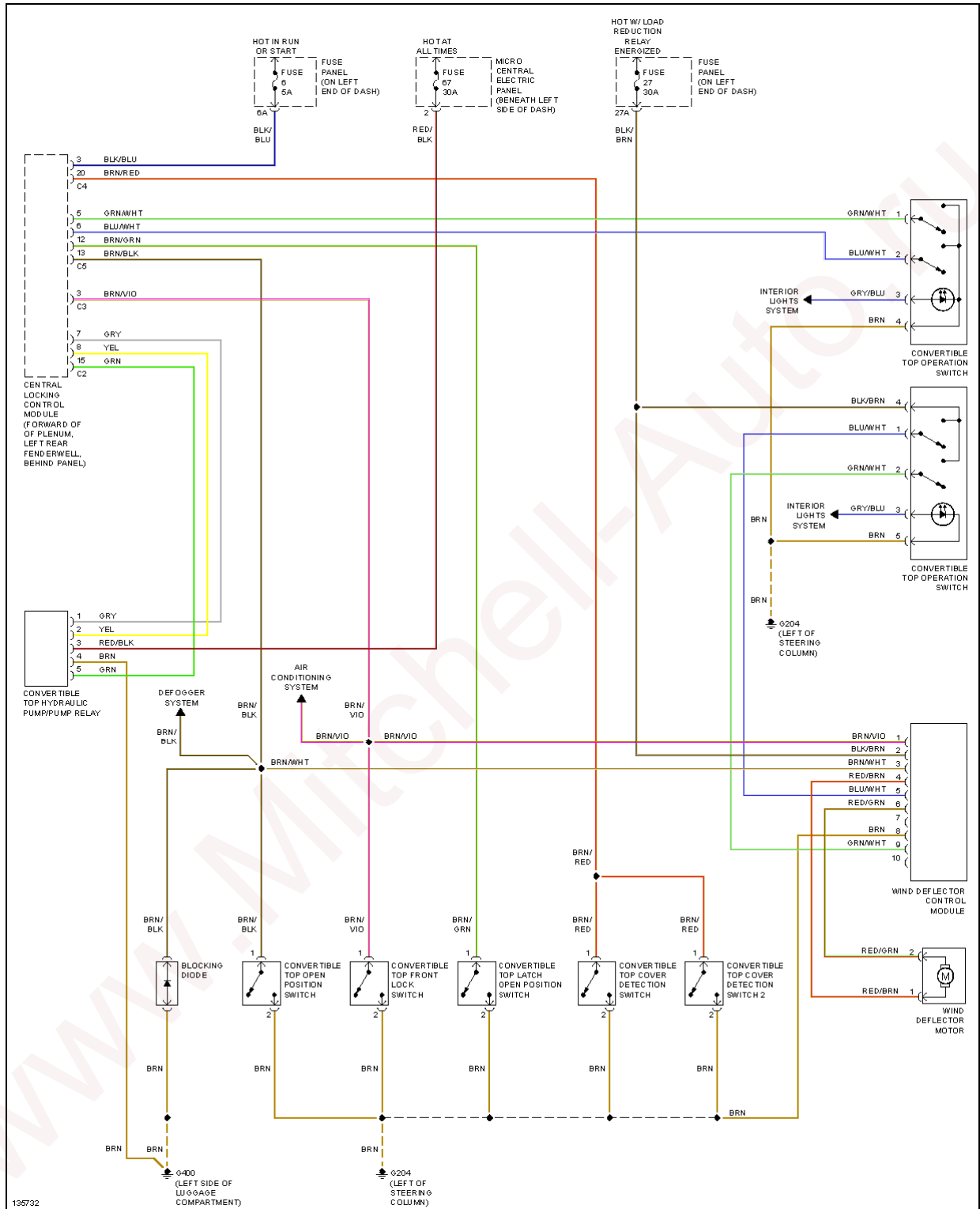


Fig. 43: Convertible Top Circuit

POWER WINDOWS

2001 Audi TT

SYSTEM WIRING DIAGRAMS Audi - TT

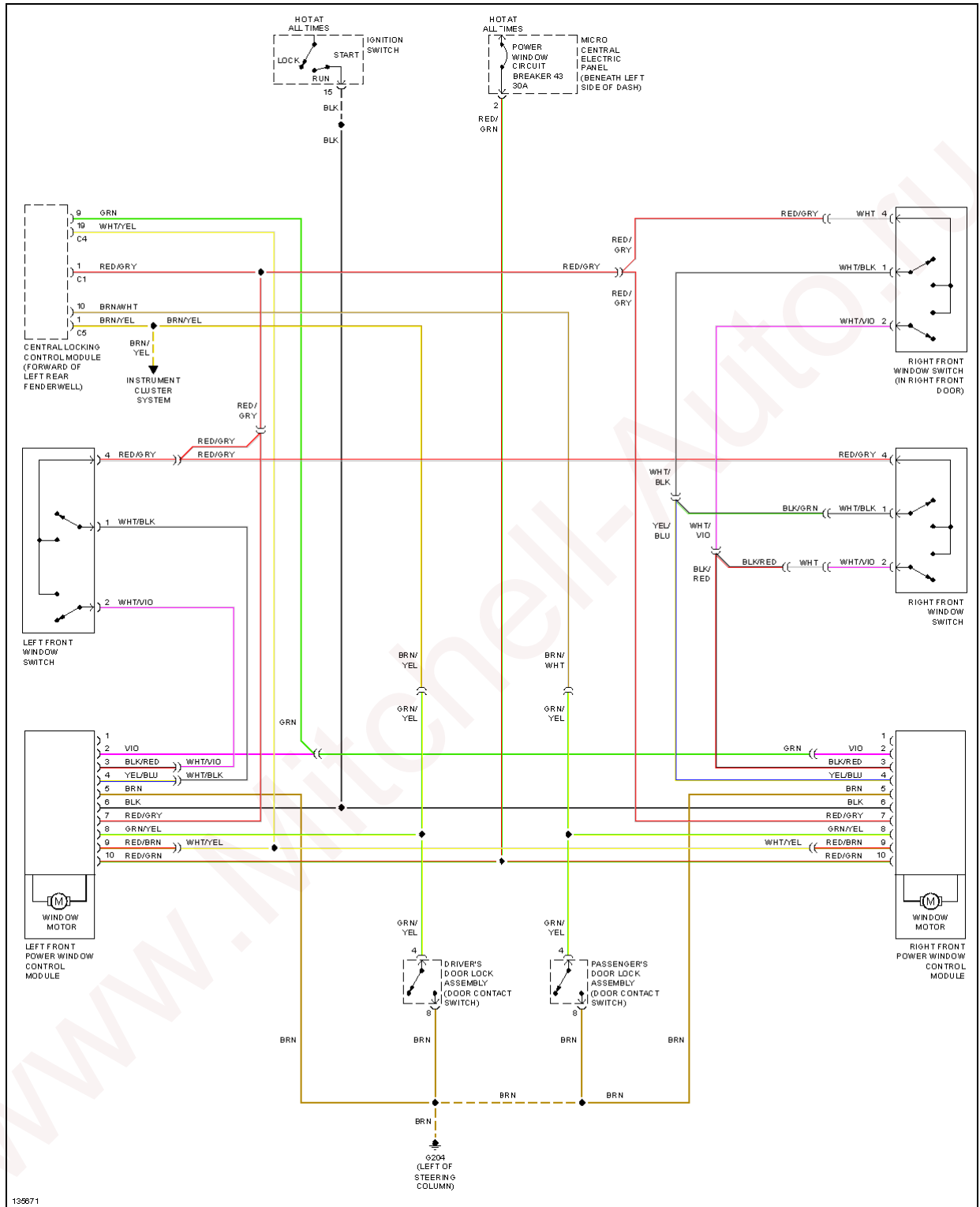


Fig. 44: Power Windows Circuit

RADIO

2001 Audi TT

SYSTEM WIRING DIAGRAMS Audi - TT

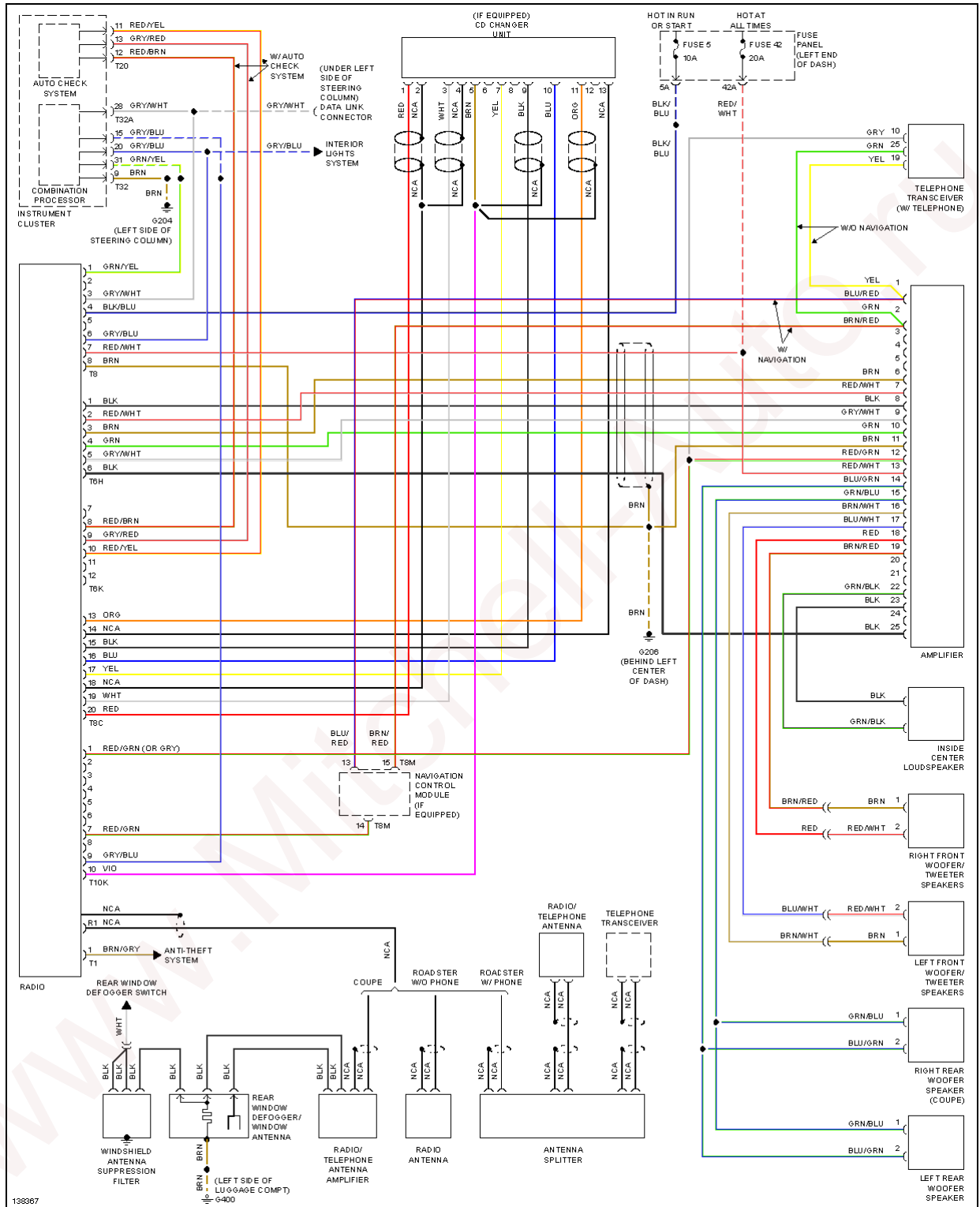


Fig. 45: Radio Circuit, W/ Bose System

2001 Audi TT

SYSTEM WIRING DIAGRAMS Audi - TT

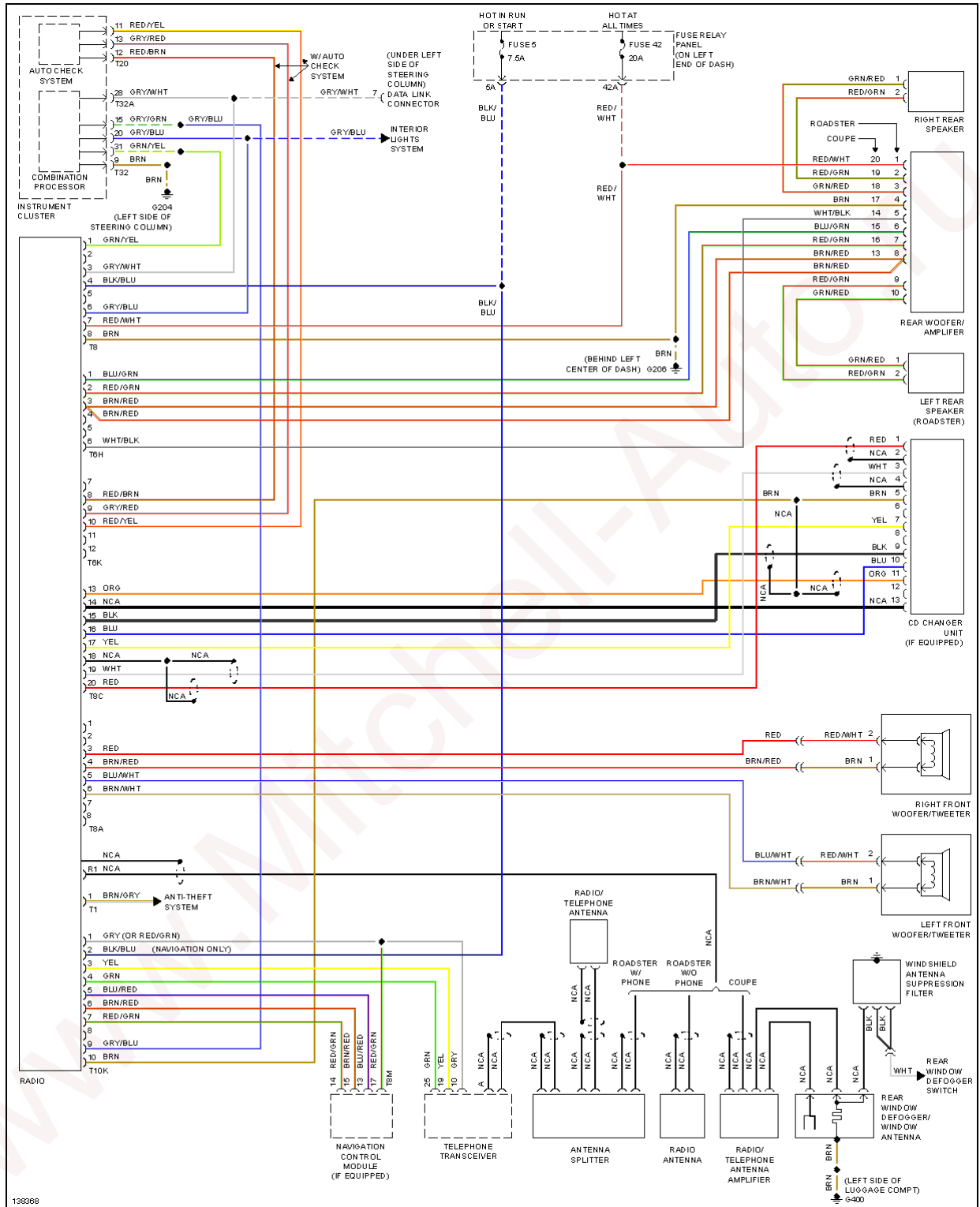


Fig. 46: Radio Circuit, W/O Bose System

STARTING/CHARGING

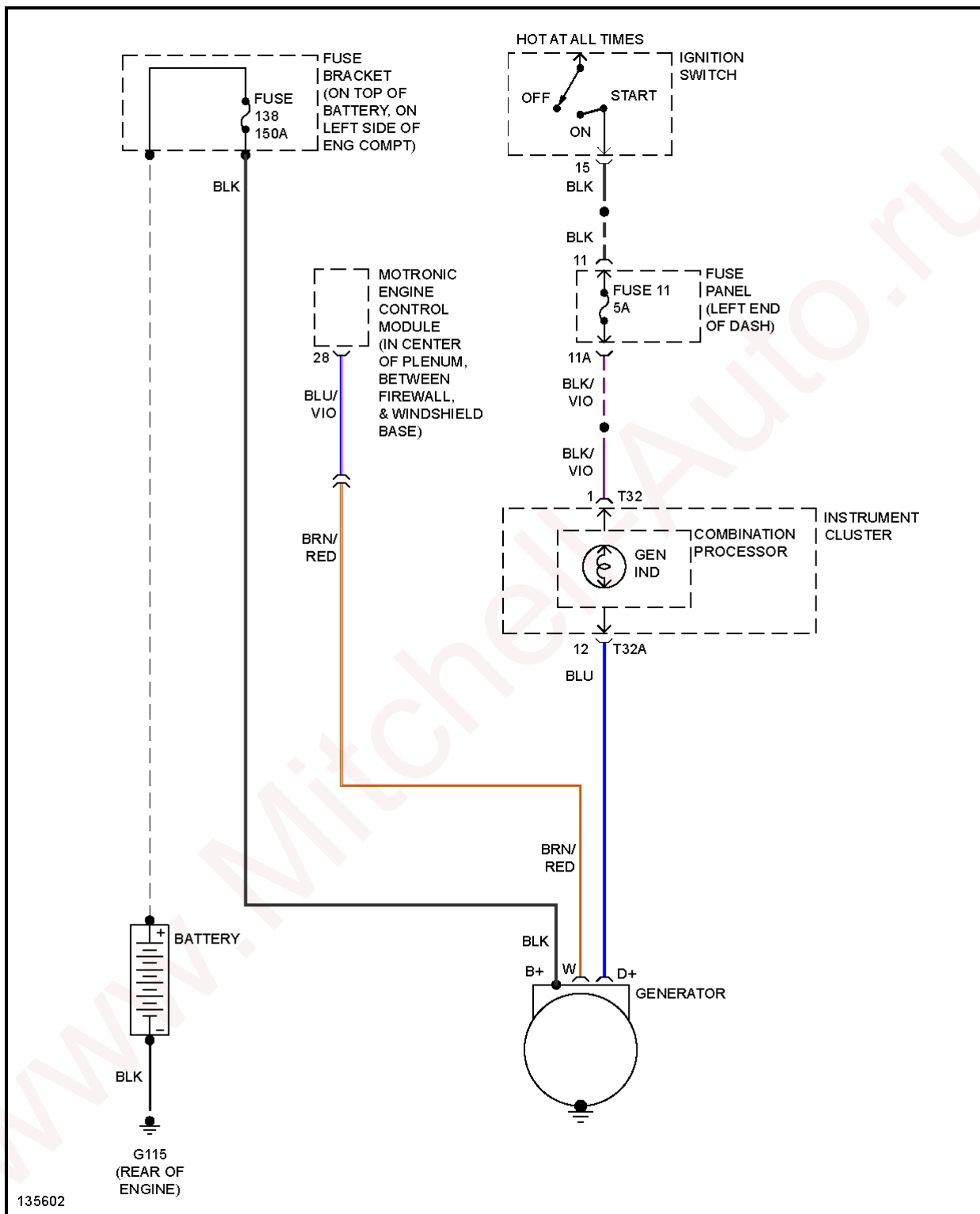


Fig. 47: Charging Circuit

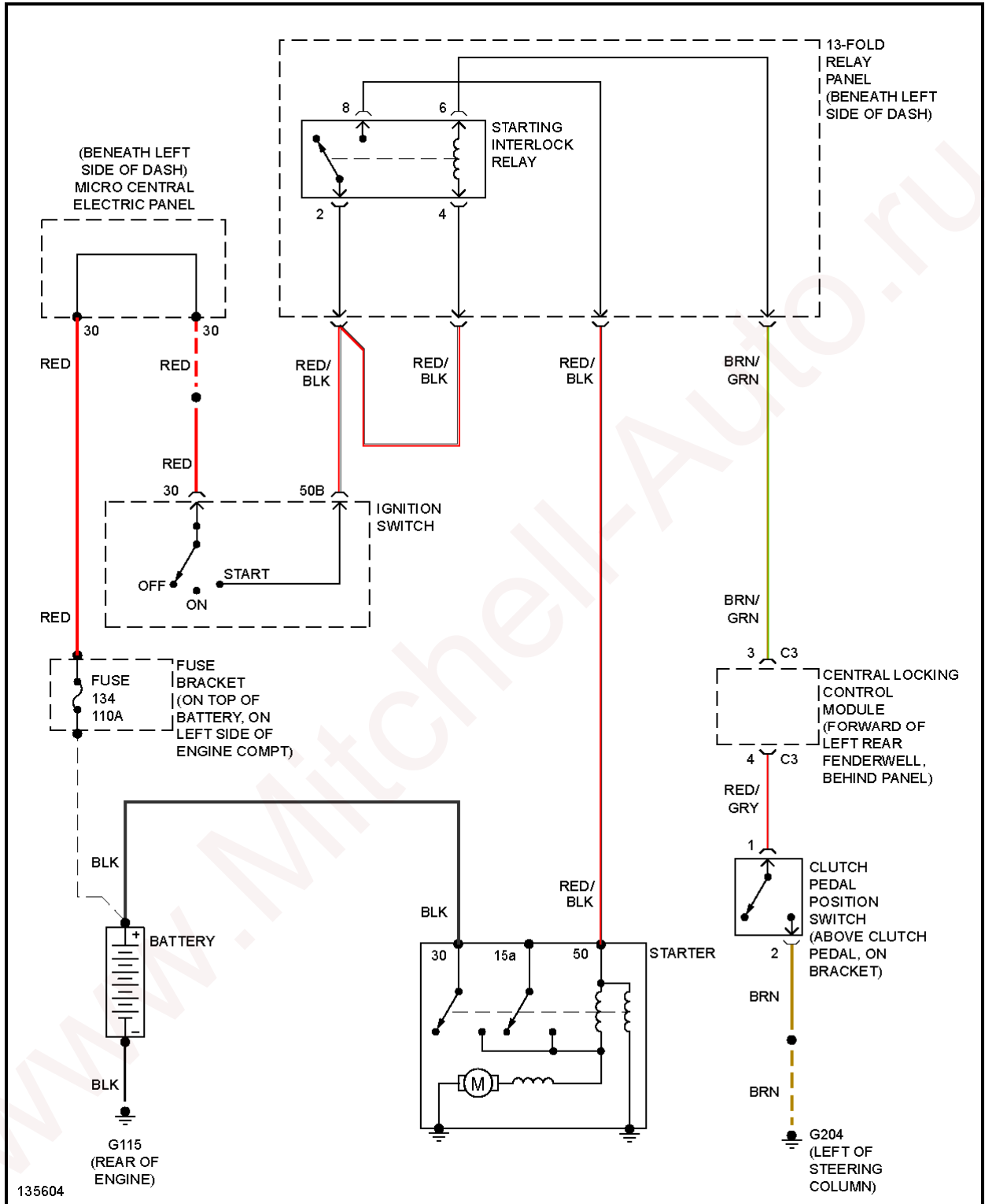


Fig. 48: Starting Circuit

SUPPLEMENTAL RESTRAINTS

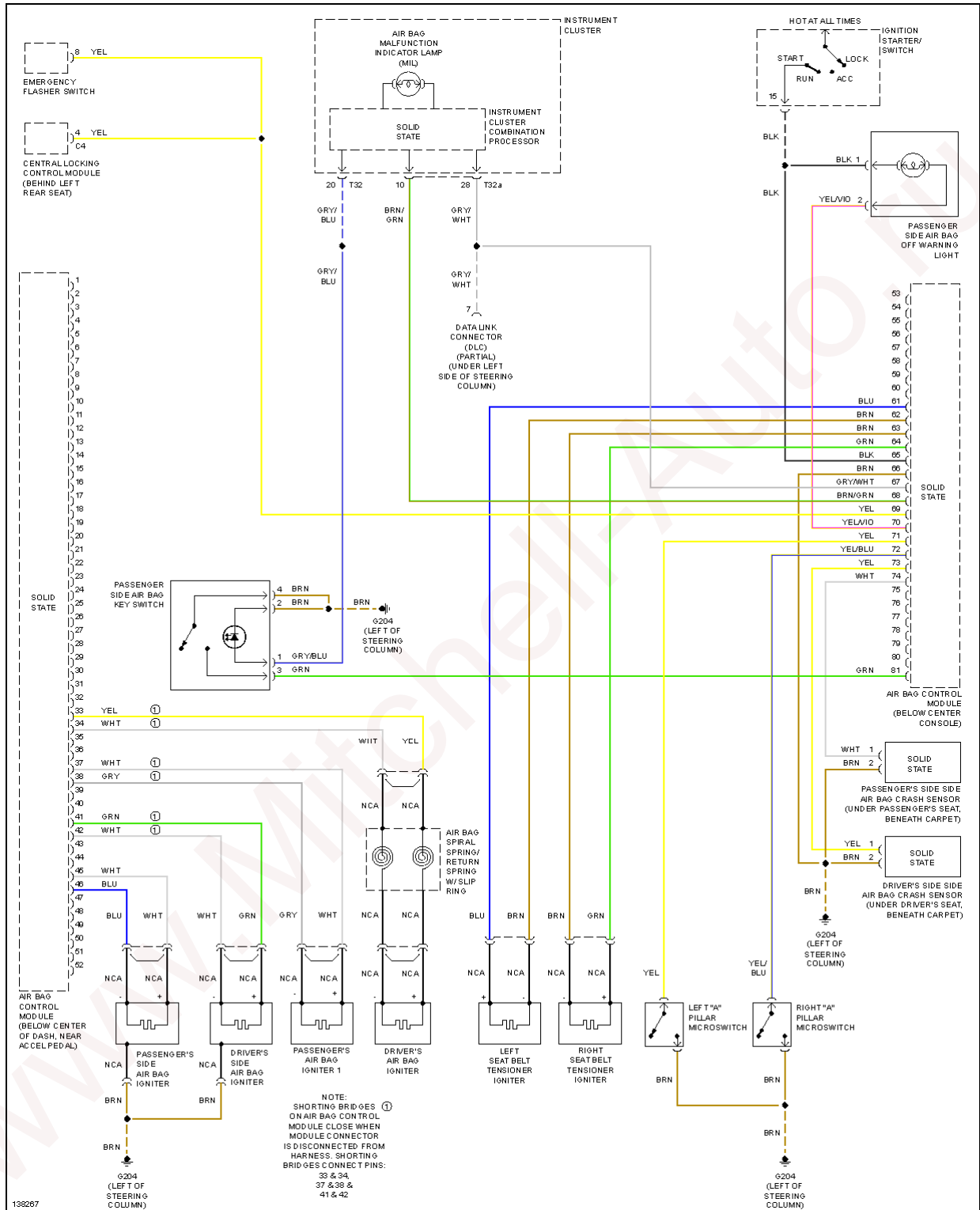


Fig. 49: Supplemental Restraints Circuit

TRANSMISSION

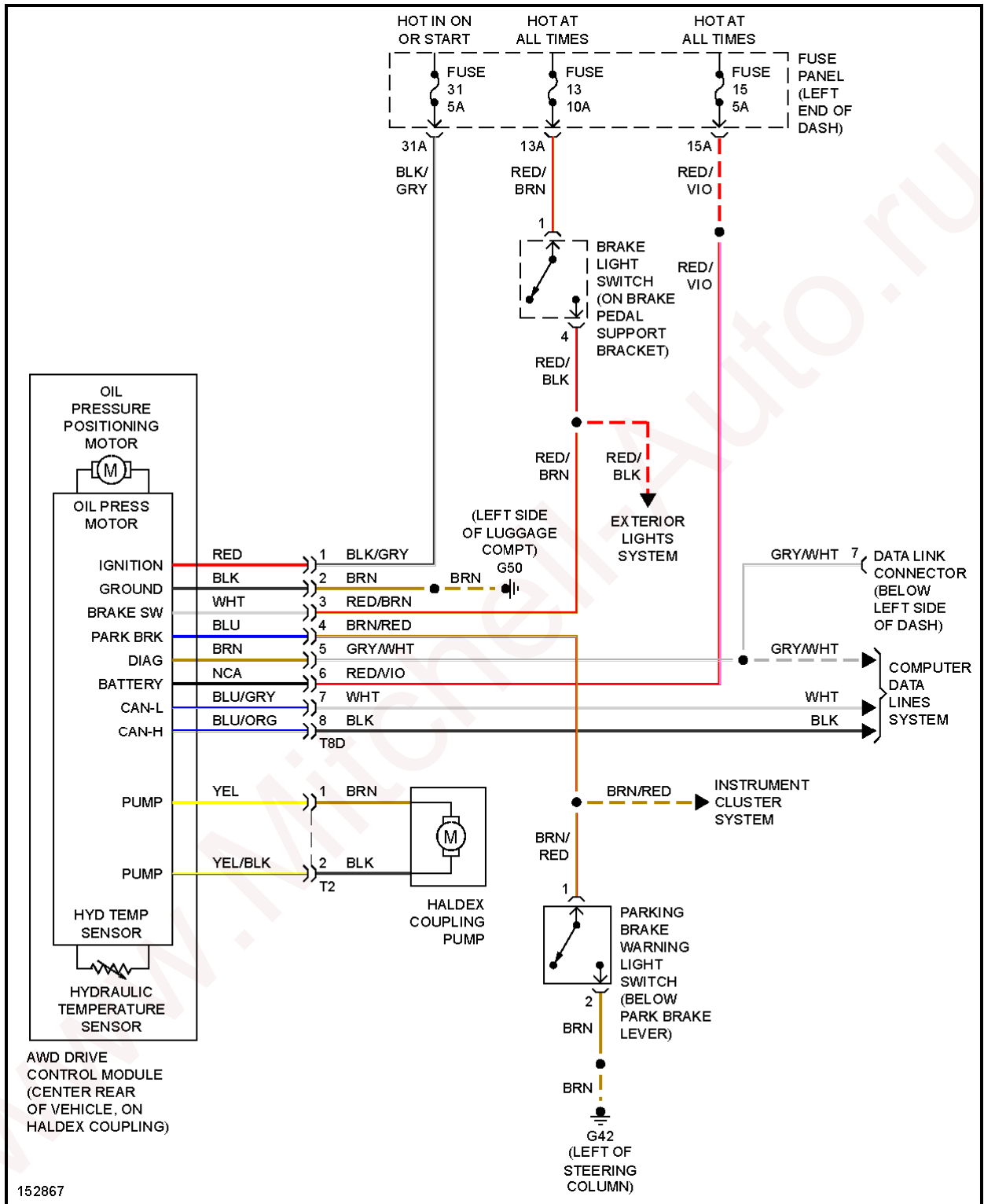


Fig. 50: 4WD Circuit

WIPER/WASHER

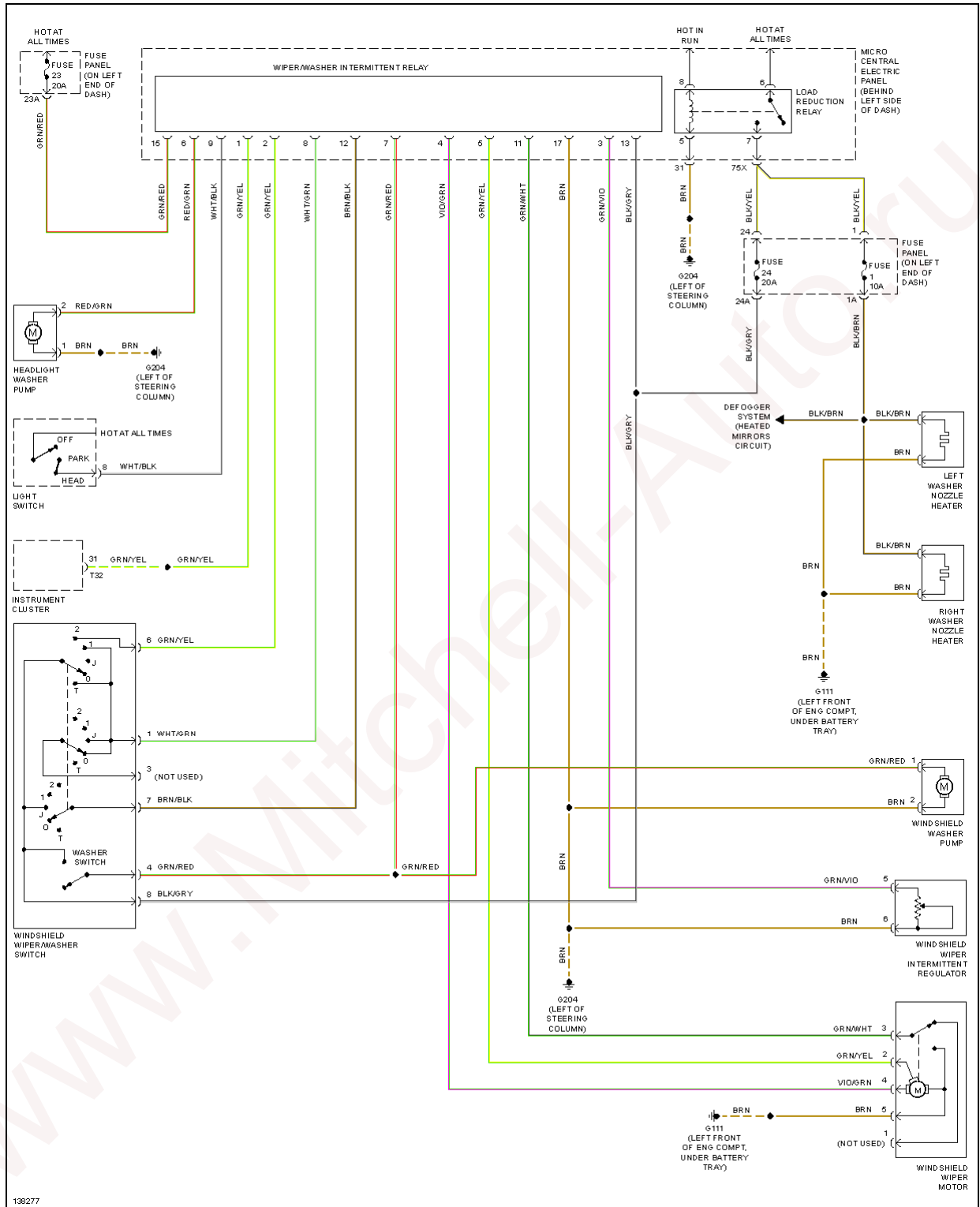


Fig. 51: Front Wiper/Washer & Headlamp Washer Circuit